

# INDEX

## PB-RIB PANEL TRIMS & ACCESSORIES

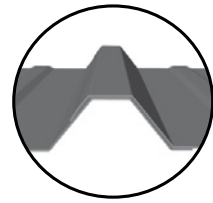
PB-Rib Panel Profiles .....	PB-2
Gauges and Colours.....	PB-2
Pro-Rib Metal Soffit .....	PB-3
PB-Rib Siding Trims .....	PB-4 to 5
PB-Rib Trims & Flashings .....	PB-6 to 18
Fasteners.....	PB-19
Dektite / Dekstrip Flexible Flashing .....	PB-20
Ridge Venting and Closures.....	PB-21
Hip & Valley Closures.....	PB-22
Durasil Sealant Adhesive / Lap Sealants .....	PB-23



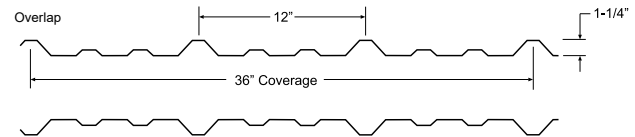
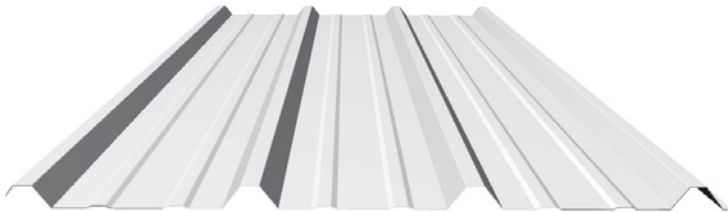
## PB-RIB PANELS

### Features and Benefits

### Applications



High rib design for low sloped roofs and heavy loads.



• Standard lengths are 4' to 40'

Reverse PB-Rib profile available. For use on walls only.

## PB-Rib - Colours and Gauges

**STOCK COLOURS** - 40 Year Warranty. Please call for additional colours & availability. Colours shown below are for reference only. Please see our colour selector for accurate colour samples.

Colour	26 ga.	24 ga.	Colour	26 ga.	24 ga.
White White (QC 28317)	•	•	Buckskin (QC 28055)	•	
Brite White (QC 28783)	•		Dark Brown (QC 28229)	•	
Bone White (QC 28273)	•		Coffee Brown (QC 28326)	•	
Cambridge White (QC 28695)	•		Charcoal Low Gloss (QC 28710) *	•	•
Black Low Gloss (QC 28224) *	•	•	Silver Metallic **		•
Barn Red (QC 28250)	•		Metallic Copper **		•

\*\* Silver Metallic and Metallic Copper in 24ga. have a 30 year warranty.  
\* Confirm with order desk prior to ordering as gloss levels may vary between gauges.

## UNPAINTED STOCK

Colour	26 ga.	24 ga.	Colour	26 ga.	24 ga.
Galvalume Plus	•	•	Galvanized Plus	•	

## TOUCH-UP PAINT

14PT2-100..... 2 oz. container w/brush  
Larger sizes available upon request.

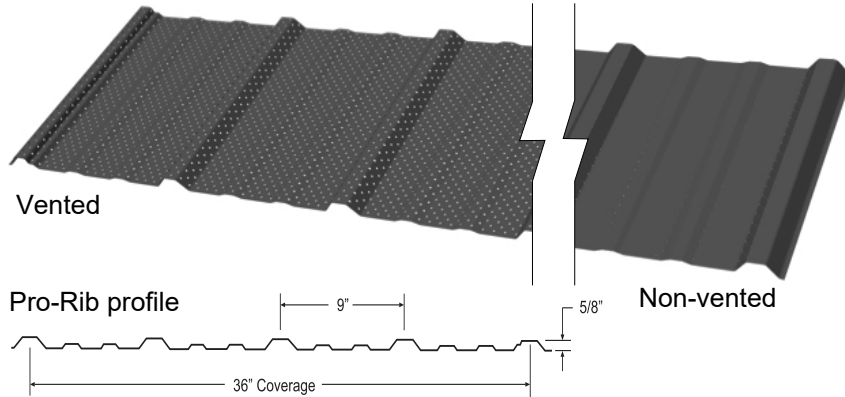
14PT8-100..... 7 oz. spray touch-up paint



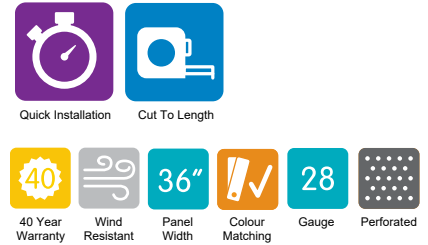
## Panels less than 48" long are subject to a cutting charge

Additional packaging charges may apply for longer lengths.

**PRO-RIB METAL SOFFIT**



**Features and Benefits**



- Stronger than aluminum
- Less vibration from wind
- 13.4 % free air (vented profile)

- Available in custom cut lengths starting from 6".
- **To order panels over 48" long refer to Perforated Panels on page PR-6.**

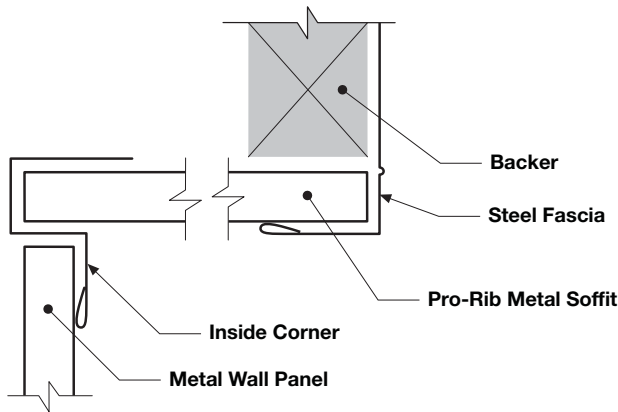
**STOCK COLOURS** - Please call for additional colours & availability

**28 GAUGE HI-TENSILE PREPAINTED - 40 YEAR WARRANTY**

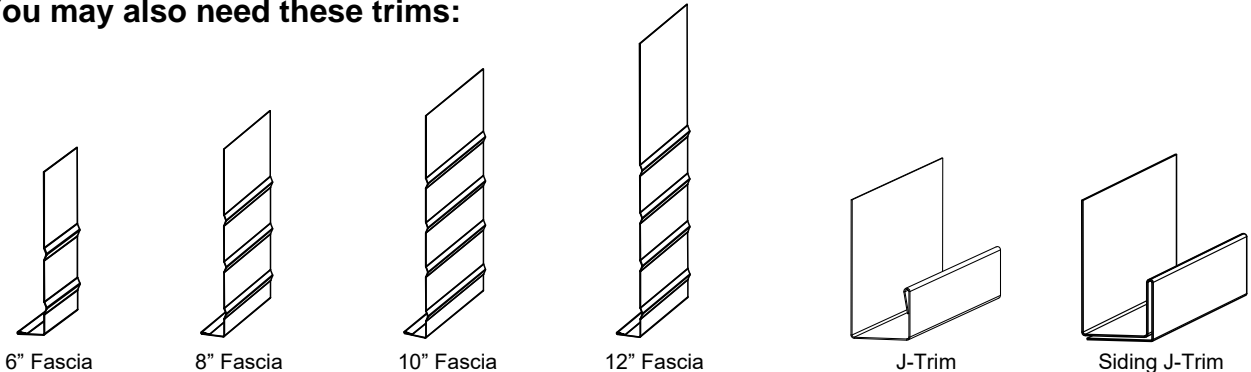
Brite White (QC 28783)
Black Low Gloss (QC 28224)

Coffee Brown (QC 28326)
Charcoal Low Gloss (QC 28710)

**TRIMS & INSTALLATION**



**You may also need these trims:**

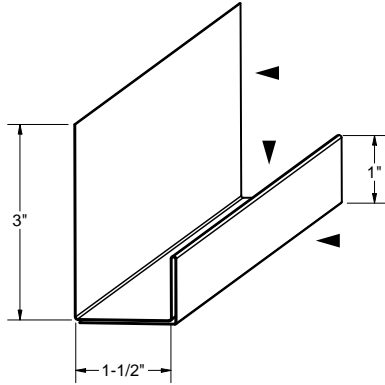


**28/26/24 GA. SIDING TRIMS**

(P.P. Indicates Pre-Painted)

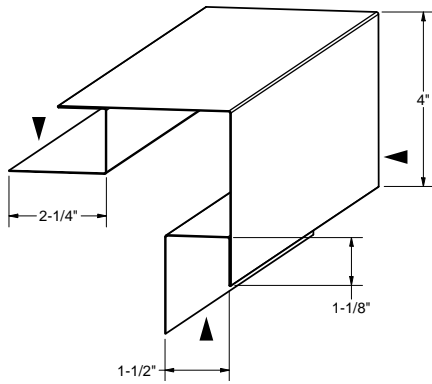
**LENGTH**

**10' 6" 12' 6" 14' 6" 16' 6"**



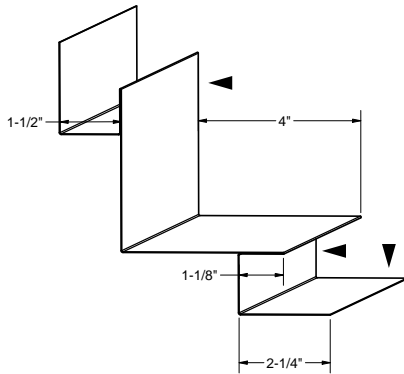
S11500	1-1/2" Siding J Trim P.P.	•	•	N/A	N/A
S11500	1-1/2" Siding J Trim Galv	•	•	N/A	N/A

• Colour on both sides



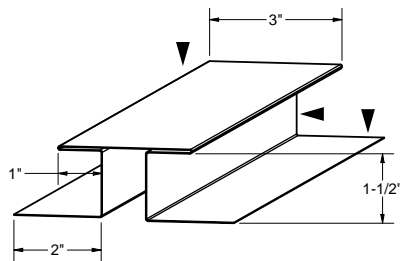
S41500	1-1/2" Outside Corner P.P.	•	•	N/A	N/A
S41500	1-1/2" Outside Corner Galv	•	•	N/A	N/A

• Colour on both sides



S51500	1-1/2" Inside Corner P.P.	•	•	N/A	N/A
S51500	1-1/2" Inside Corner Galv	•	•	N/A	N/A

• Colour on both sides



S761500	1-1/2" H Divider P.P.	•	•	N/A	N/A
S761500	1-1/2" H Divider Galv	•	•	N/A	N/A

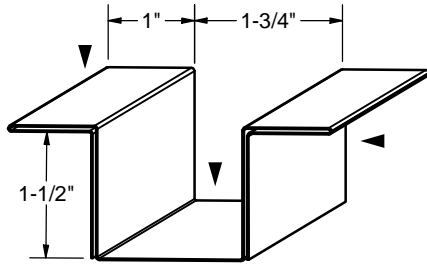
• Colour on both sides

STANDARD TRIM IS FOR 4/12 PITCH.

▶ INDICATES PAINTED SIDE

**28/26/24 GA. SIDING TRIMS**  
(P.P. Indicates Pre-Painted)

**LENGTH**  
**10' 6" 12' 6" 14' 6" 16' 6"**



Product Code	Description	10' 6"	12' 6"	14' 6"	16' 6"
S771500	1-1/2" Recessed Divider P.P.	•	•	N/A	N/A
S771500	1-1/2" Recessed Divider Galv	•	•	N/A	N/A

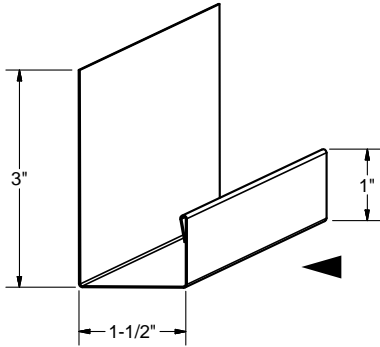
· Colour on both sides

**26/24 GA. PB-RIB TRIMS**

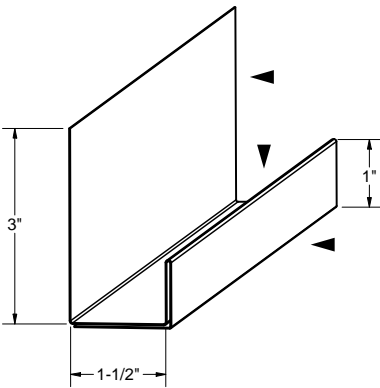
(P.P. Indicates Pre-Painted)

**LENGTH**

**10' 6" 12' 6" 14' 6" 16' 6"**

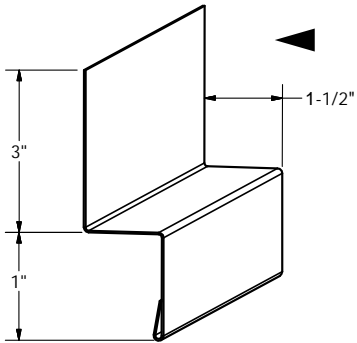


C1	1.5" J Trim P.P.	•	•	•	•
C1	1.5" J Trim Galv	•	•	•	•

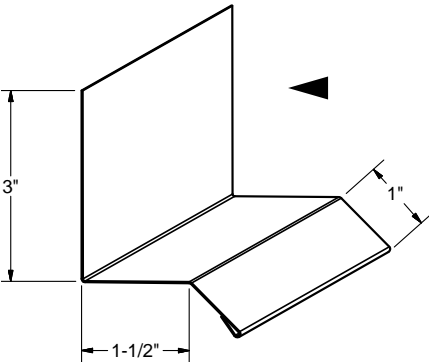


S11500	1-1/2" Siding J Trim P.P.	•	•	N/A	N/A
S11500	1-1/2" Siding J Trim Galv	•	•	N/A	N/A

• Colour on both sides



C2	1.5" Base / Divider P.P.	•	•	•	•
C2	1.5" Base / Divider Galv.	•	•	•	•



C3	Drip Flashing P.P.	•	•	•	•
C3	Drip Flashing Galv.	•	•	•	•

STANDARD TRIM IS FOR 4/12 PITCH.

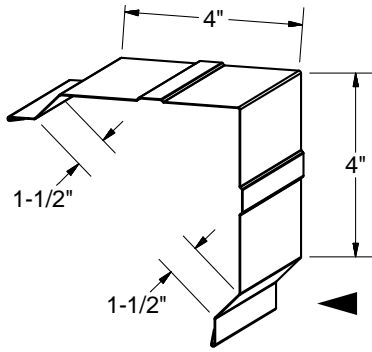
▶ INDICATES PAINTED SIDE

**26/24 GA. PB-RIB TRIMS**

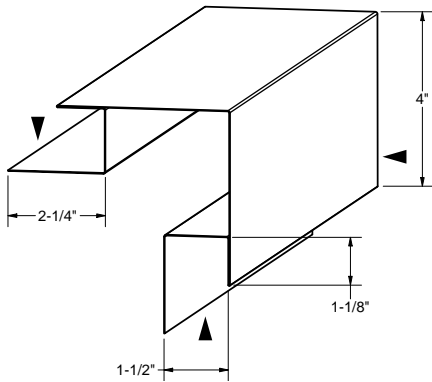
(P.P. Indicates Pre-Painted)

**LENGTH**

**10' 6" 12' 6" 14' 6" 16' 6"**

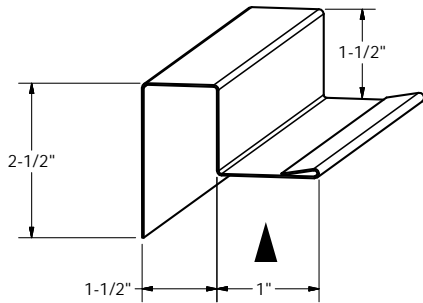


C4B	Outside Corner P.P.	•	•	•	•
C4B	Outside Corner Galv.	•	•	•	•

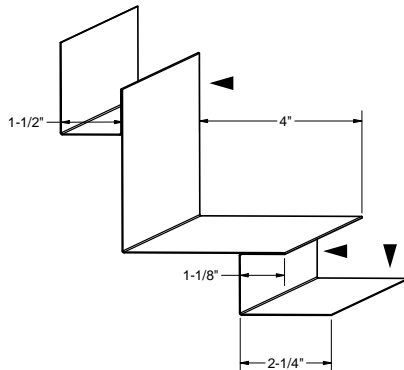


S41500	1-1/2" Outside Corner P.P.	•	•	N/A	N/A
S41500	1-1/2" Outside Corner Galv	•	•	N/A	N/A

• Colour on both sides



C5	1.5" Inside Corner P.P.	•	•	•	•
C5	1.5" Inside Corner Galv.	•	•	•	•



S51500	1-1/2" Inside Corner P.P.	•	•	N/A	N/A
S51500	1-1/2" Inside Corner Galv	•	•	N/A	N/A

• Colour on both sides

STANDARD TRIM IS FOR 4/12 PITCH.

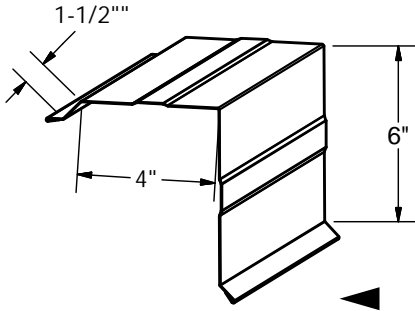
▶ INDICATES PAINTED SIDE

**26/24 GA. PB-RIB TRIMS**

(P.P. Indicates Pre-Painted)

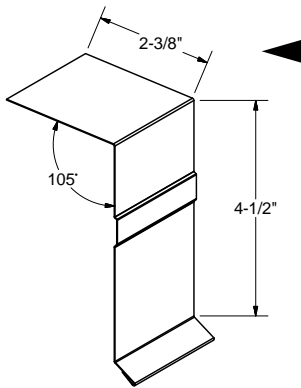
**LENGTH**

**10' 6" 12' 6" 14' 6" 16' 6"**



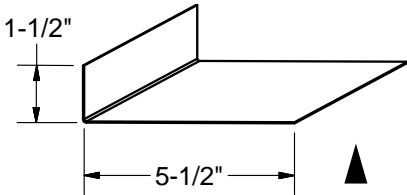
C6B	Gable Flashing P.P.	•	•	•	•
C6B	Gable Flashing Galv.	•	•	•	•

• Use with C7B Rake Flashing

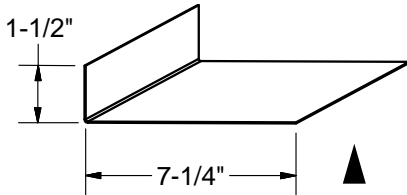


C7B	Rake Flashing P.P.	•	•	•	•
C7B	Rake Flashing Galv.	•	•	•	•

• Use with C6B Gable Flashing



C10	5.50 Header Trim P.P.	•	•	•	•
C10	5.50 Header Trim Galv.	•	•	•	•



C10	7.25 Header Trim P.P.	•	•	•	•
C10	7.25 Header Trim Galv.	•	•	•	•

STANDARD TRIM IS FOR 4/12 PITCH.

▶ INDICATES PAINTED SIDE

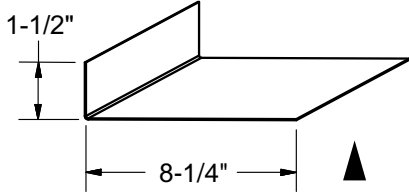


**26/24 GA. PB-RIB TRIMS**

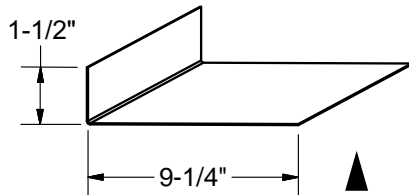
(P.P. Indicates Pre-Painted)

**LENGTH**

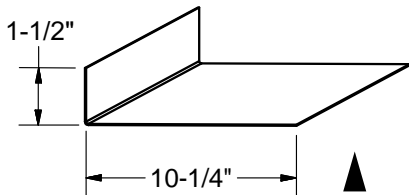
**10' 6" 12' 6" 14' 6" 16' 6"**



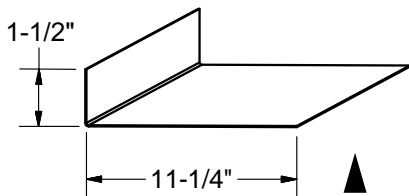
C10	8.25 Header Trim P.P.	•	•	•	•
C10	8.25 Header Trim Galv.	•	•	•	•



C10	9.25 Header Trim P.P.	•	•	•	•
C10	9.25 Header Trim Galv.	•	•	•	•



C10	10.25 Header Trim P.P.	•	•	•	•
C10	10.25 Header Trim Galv.	•	•	•	•



C10	11.25 Header Trim P.P.	•	•	•	•
C10	11.25 Header Trim Galv.	•	•	•	•

STANDARD TRIM IS FOR 4/12 PITCH.

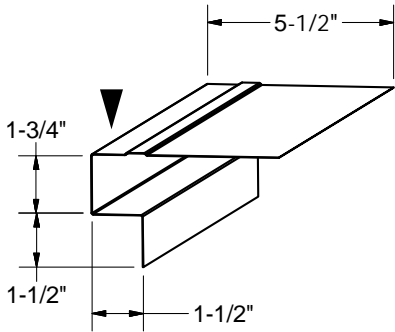
▶ INDICATES PAINTED SIDE

**26/24 GA. PB-RIB TRIMS**

(P.P. Indicates Pre-Painted)

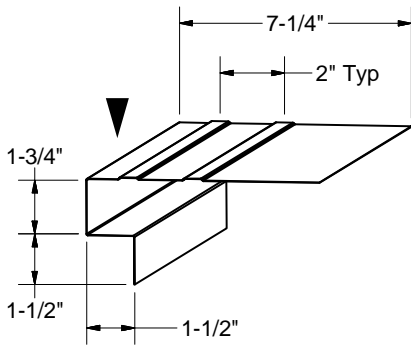
**LENGTH**

**10' 6" 12' 6" 14' 6" 16' 6"**



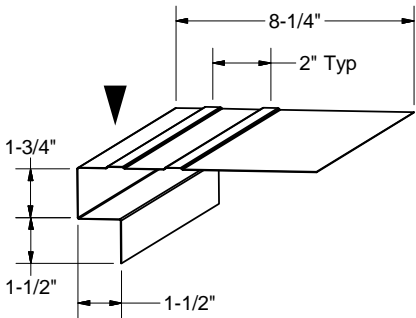
C11B	5.50 Door Jamb Flashing P.P.	•	•	•	•
C11B	5.50 Door Jamb Flashing Galv.	•	•	•	•

· Available with or without stiffening ribs.



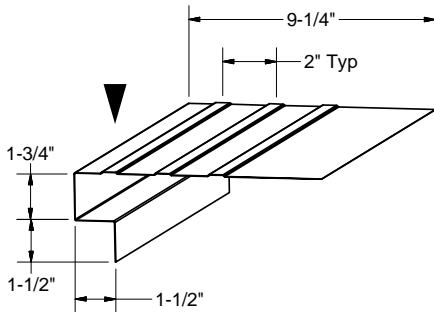
C11B	7.25 Door Jamb Flashing P.P.	•	•	•	•
C11B	7.25 Door Jamb Flashing Galv.	•	•	•	•

· Available with or without stiffening ribs.



C11B	8.25 Door Jamb Flashing P.P.	•	•	•	•
C11B	8.25 Door Jamb Flashing Galv.	•	•	•	•

· Available with or without stiffening ribs.



C11B	9.25 Door Jamb Flashing P.P.	•	•	•	•
C11B	9.25 Door Jamb Flashing Galv.	•	•	•	•

· Available with or without stiffening ribs.

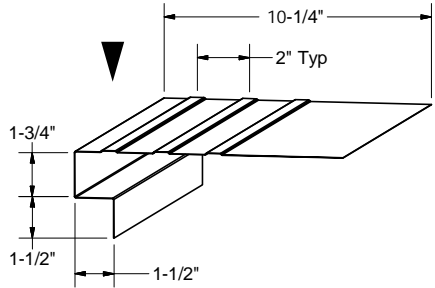
STANDARD TRIM IS FOR 4/12 PITCH.

▶ INDICATES PAINTED SIDE

**26/24 GA. PB-RIB TRIMS**

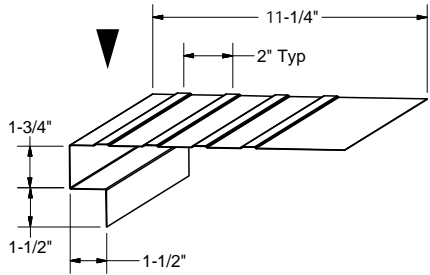
(P.P. Indicates Pre-Painted)

**LENGTH**  
**10' 6" 12' 6" 14' 6" 16' 6"**



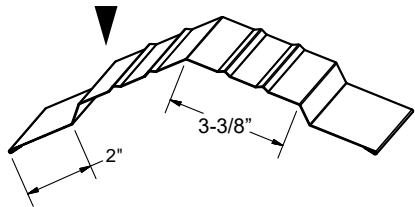
C11B	10.25 Door Jamb P.P.	•	•	•	•
C11B	10.25 Door Jamb Galv.	•	•	•	•

· Available with or without stiffening ribs.



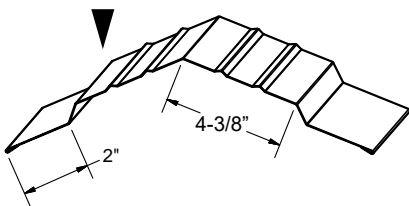
C11B	11.25 Door Jamb P.P.	•	•	•	•
C11B	11.25 Door Jamb Galv.	•	•	•	•

· Available with or without stiffening ribs.



C12B	12" Ridge Cover P.P.	•	•	•	•
C12B	12" Ridge Cover Galv.	•	•	•	•

· #14 x 2-1/2" Tru-Grip fastener is recommended for installation.



C12B/14	14" Ridge Cover P.P.	•	•	•	•
C12B/14	14" Ridge Cover Galv.	•	•	•	•

· #14 x 2-1/2" Tru-Grip fastener is recommended for installation.

STANDARD TRIM IS FOR 4/12 PITCH.

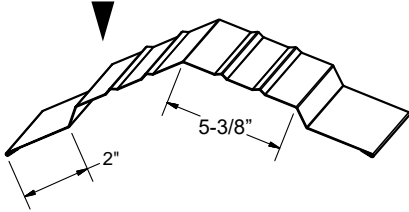
▶ INDICATES PAINTED SIDE

**26/24 GA. PB-RIB TRIMS**

(P.P. Indicates Pre-Painted)

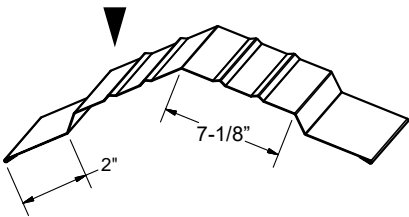
**LENGTH**

**10' 6" 12' 6" 14' 6" 16' 6"**



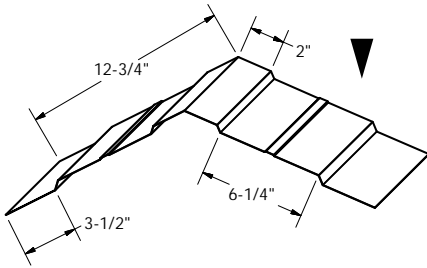
C12B/16	16" Ridge Cover P.P.	•	•	•	•
C12B/16	16" Ridge Cover Galv.	•	•	•	•

· #14 x 2-1/2" Tru-Grip fastener is recommended for installation.



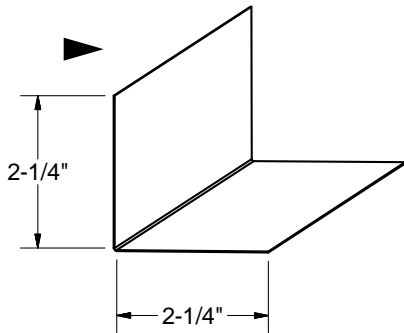
C12B/20	20" Ridge Cover P.P.	•	•	•	•
C12B/20	20" Ridge Cover Galv.	•	•	•	•

· #14 x 2-1/2" Tru-Grip fastener is recommended for installation.



C-12B/24	24" Ridge Cover P.P.	•	•	•	•
C-12B/24	24" Ridge Cover Galv.	•	•	•	•

· Matches 24" Coverlite polycarbonate Ridge Cover.  
· #14 x 2-1/2" Tru-Grip fastener is recommended for installation.



C13	Universal Flashing P.P.	•	•	•	•
C13	Universal Flashing Galv.	•	•	•	•

STANDARD TRIM IS FOR 4/12 PITCH.

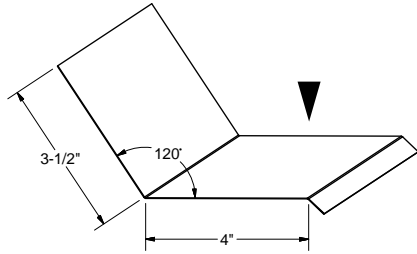
▶ INDICATES PAINTED SIDE

**26/24 GA. PB-RIB TRIMS**

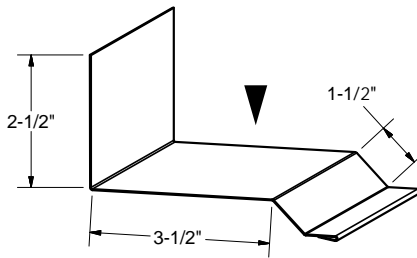
(P.P. Indicates Pre-Painted)

**LENGTH**

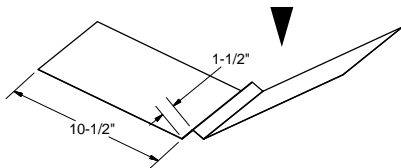
**10' 6" 12' 6" 14' 6" 16' 6"**



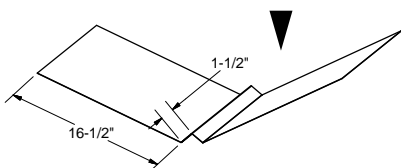
C14	Endwall Flashing P.P.	•	•	•	•
C14	Endwall Flashing Galv.	•	•	•	•



C15	Sidewall Flashing P.P.	•	•	•	•
C15	Sidewall Flashing Galv.	•	•	•	•



C17/24	24" W Valley Flashing P.P.	•	•	N/A	N/A
C17/24	24" W Valley Flashing Galv.	•	•	N/A	N/A



C17/36	36" W Valley Flashing P.P.	•	•	N/A	N/A
C17/36	36" W Valley Flashing Galv.	•	•	N/A	N/A

STANDARD TRIM IS FOR 4/12 PITCH.

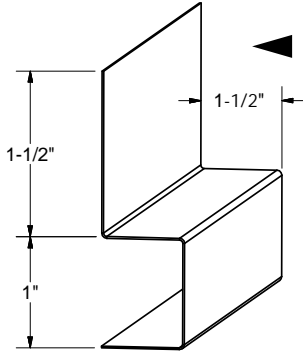
▶ INDICATES PAINTED SIDE

**26/24 GA. PB-RIB TRIMS**

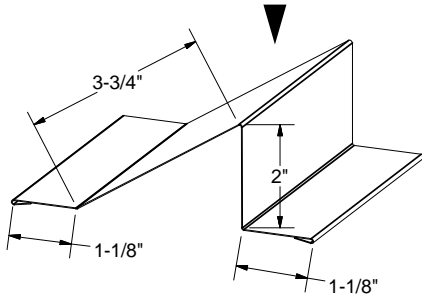
(P.P. Indicates Pre-Painted)

**LENGTH**

**10' 6" 12' 6" 14' 6" 16' 6"**

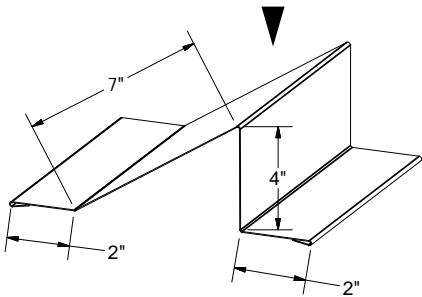


C19	1.5" Box Base P.P.	•	•	•	•
C19	1.5" Box Base Galv.	•	•	•	•



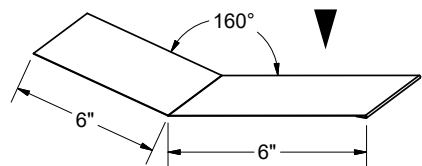
C20/2	2" Snow Guard P.P.	•	•	•	•
C20/2	2" Snow Guard Galv.	•	•	•	•

· #14 x 2-1/2" Tru-Grip fastener is recommended for installation.



C20/4	4" Snow Guard P.P.	•	•	•	•
C20/4	4" Snow Guard Galv.	•	•	•	•

· #14 x 2-1/2" Tru-Grip fastener is recommended for installation.



C26	Pitch Break P.P.	•	•	•	•
C26	Pitch Break Galv.	•	•	•	•

STANDARD TRIM IS FOR 4/12 PITCH.

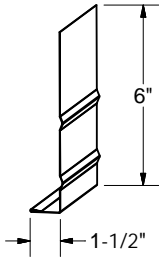
▶ INDICATES PAINTED SIDE

**26/24 GA. PB-RIB TRIMS**

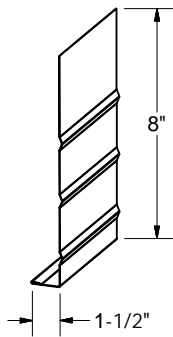
(P.P. Indicates Pre-Painted)

**LENGTH**

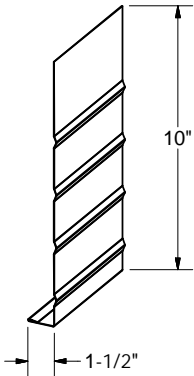
**10' 6" 12' 6" 14' 6" 16' 6"**



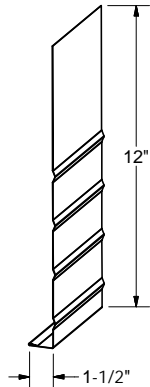
C32B	6" Steel Fascia P.P.	•	•	•	•
C32B	6" Steel Fascia Galv.	•	•	•	•



C33B	8" Steel Fascia P.P.	•	•	•	•
C33B	8" Steel Fascia Galv.	•	•	•	•



C34B	10" Steel Fascia P.P.	•	•	•	•
C34B	10" Steel Fascia Galv.	•	•	•	•



C35B	12" Steel Fascia P.P.	•	•	•	•
C35B	12" Steel Fascia Galv.	•	•	•	•

STANDARD TRIM IS FOR 4/12 PITCH.

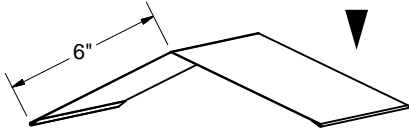
▶ INDICATES PAINTED SIDE

**26/24 GA. PB-RIB TRIMS**

(P.P. Indicates Pre-Painted)

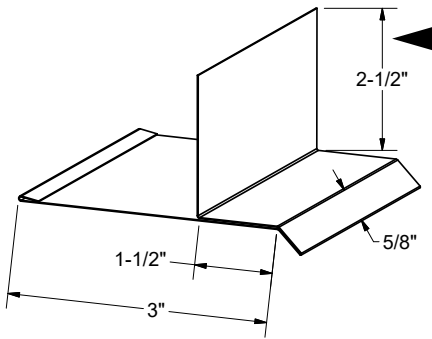
**LENGTH**

**10' 6" 12' 6" 14' 6" 16' 6"**

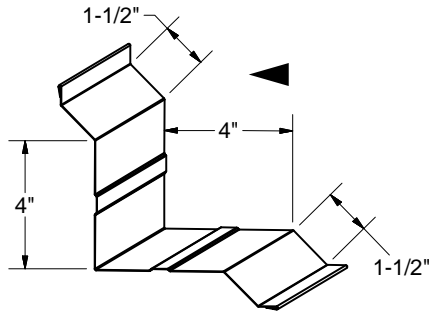


C41	12" LP Ridge Cover P.P.	•	•	•	•
C41	12" LP Ridge Cover Galv.	•	•	•	•

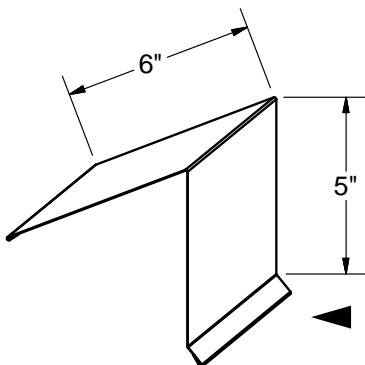
· #14 x 2-1/2" Tru-Grip fastener is recommended for installation.



C62	Fascia to Soffit P.P.	•	•	•	•
C62	Fascia to Soffit Galv.	•	•	•	•



C70B	Inside Corner P.P.	•	•	•	•
C70B	Inside Corner Galv.	•	•	•	•



C72	Peak Flashing P.P.	•	•	•	•
C72	Peak Flashing Galv.	•	•	•	•

· #14 x 2-1/2" Tru-Grip fastener is recommended for installation.  
· Use with C6B Gable Flashing

STANDARD TRIM IS FOR 4/12 PITCH.

▶ INDICATES PAINTED SIDE

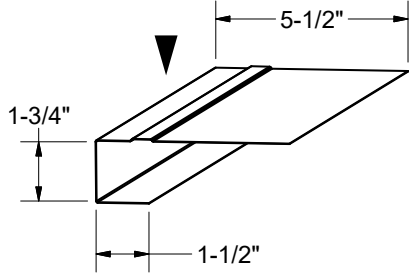


**26/24 GA. PB-RIB TRIMS**

(P.P. Indicates Pre-Painted)

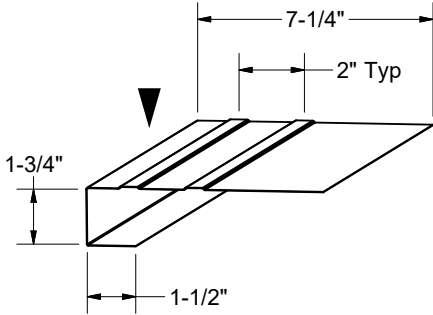
**LENGTH**

**10' 6" 12' 6" 14' 6" 16' 6"**



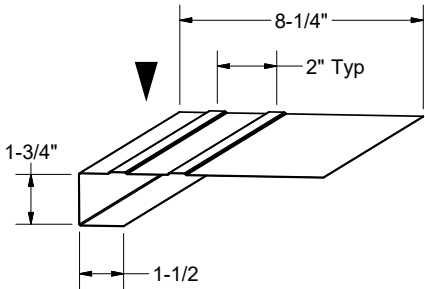
C73B	5.50 Door Jamb Flashing P.P.	•	•	•	•
C73B	5.50 Door Jamb Flashing Galv.	•	•	•	•

· Available with or without stiffening ribs.



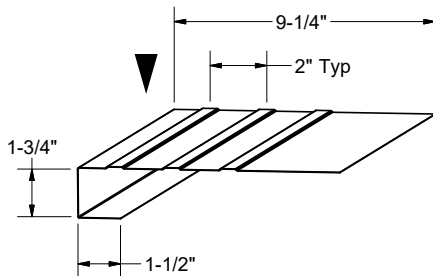
C73B	7.25 Door Jamb Flashing P.P.	•	•	•	•
C73B	7.25 Door Jamb Flashing Galv.	•	•	•	•

· Available with or without stiffening ribs.



C73B	8.25 Door Jamb Flashing P.P.	•	•	•	•
C73B	8.25 Door Jamb Flashing Galv.	•	•	•	•

· Available with or without stiffening ribs.



C73B	9.25 Door Jamb Flashing P.P.	•	•	•	•
C73B	9.25 Door Jamb Flashing Galv.	•	•	•	•

· Available with or without stiffening ribs.

STANDARD TRIM IS FOR 4/12 PITCH.

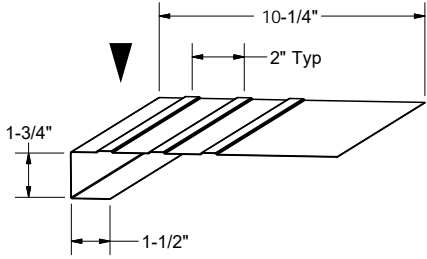
▶ INDICATES PAINTED SIDE

**26/24 GA. PB-RIB TRIMS**

(P.P. Indicates Pre-Painted)

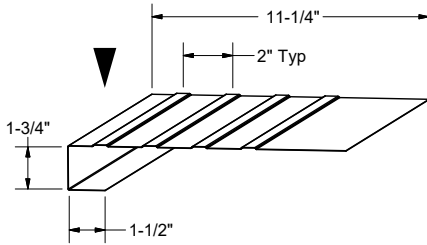
**LENGTH**

**10' 6" 12' 6" 14' 6" 16' 6"**



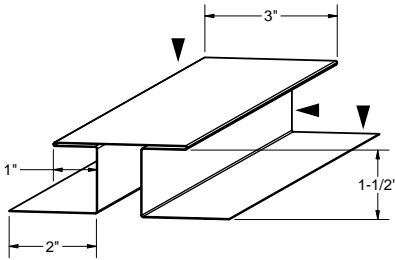
C73B	10.25 Door Jamb Flashing P.P.	•	•	•	•
C73B	10.25 Door Jamb Flashing Galv.	•	•	•	•

· Available with or without stiffening ribs.



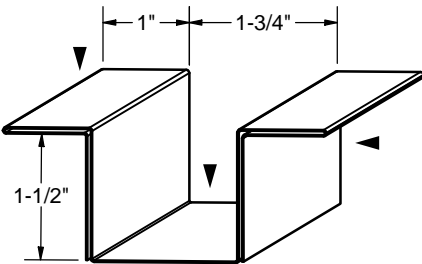
C73B	11.25 Door Jamb Flashing P.P.	•	•	•	•
C73B	11.25 Door Jamb Flashing Galv.	•	•	•	•

· Available with or without stiffening ribs.



S761500	1-1/2" H Divider P.P.	•	•	N/A	N/A
S761500	1-1/2" H Divider Galv.	•	•	N/A	N/A

· Colour on both sides



S771500	1-1/2" Recessed Divider P.P.	•	•	N/A	N/A
S771500	1-1/2" Recessed Divider Galv.	•	•	N/A	N/A

· Colour on both sides

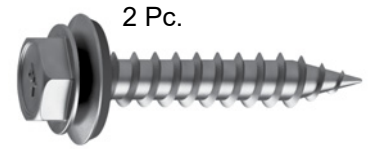
STANDARD TRIM IS FOR 4/12 PITCH.

▶ INDICATES PAINTED SIDE

**FASTENERS FOR PB-RIB**

**Tru-Grip GT**

- HWH = Hex Washer Head, Metal to Wood
- Comes with EPDM Bonded washer (ø16mm/0.630")
- Long-life coated for extended corrosion resistance



We recommend the use of #14 fasteners for the installation of PB-Rib.

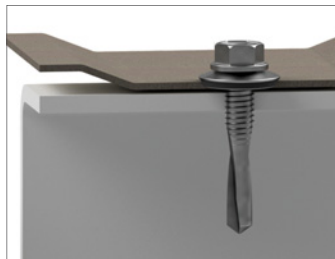
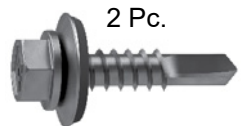
Part Number	Size	Head Size	Bag/Case Qty.
12WG141	#14 x 1"	3/8"	250/2500
12WG1412	#14 x 1 1/4"	3/8"	250/1500
12WG1415	#14 x 1 1/2"	3/8"	250/1500
12WG1420	#14 x 2"	3/8"	250/1000
12WG1425	#14 x 2 1/2"	3/8"	250/1000
12WG1430	#14 x 3"	3/8"	250/750
12WG1435	#14 x 3-1/2"	3/8"	250/500
12WG1440	#14 x 4"	3/8"	250/500



**Stitch Screws**

- Metal to Metal
- Pre-assembled with EPDM bonded washers (ø15mm/0.591")
- Long-life coated for extended corrosion resistance
- Sold in multiples of 100 pieces

Part Number	Size	Drill Point	Head Size	Bag/Case Qty.
25-1790W	1/4 - 14 x 7/8"	#1 Point	5/16"	250/3000
25-1420W	12 - 14 x 3/4"	#3 Point	5/16"	250/2500
25-1490W	12 - 14 x 1"	#3 Point	5/16"	250/2500



## DEKTITE UNIVERSAL FLEXIBLE PIPE FLASHING

- This universal flashing has been designed to fit virtually all panel configurations.
- Sleeve flexibility absorbs vibration and pipe movement caused by expansion/contraction.
- Easy on-site customization can accommodate all normal installations.
- All parts are grey in colour except the high temp variation which is red in colour.
- Other sizes are available upon request.
- Parts are paintable.
- **For extreme pitch or surface irregularity, select next larger size.**



Part No.	Description	Fits Pipe	Service Temp.
26DEK-8001	No. 1	1/4" - 2-1/2"	-65 F to +250 F
26DEK-8002	2	1-3/4" - 3-1/4"	-65 F to +250 F
26DEK-8003	3	1/4" - 5"	-65 F to +250 F
26DEK-8003HT	3 High Temp	1/4" - 5"	-40 F to +350 F
26DEK-8004	4	3" - 6-1/4"	-65 F to +250 F
26DEK-8005	5	4-1/4" - 7-1/2"	-65 F to +250 F
26DEK-8006	6	5" - 9"	-65 F to +250 F
26DEK-8006HT	6 High Temp	5" - 9"	-40 F to +350 F
26DEK-8007	7	6" - 11"	-65 F to +250 F
26DEK-8007HT	7 High Temp	6" - 11"	-40 F to +350 F
26DEK-8008	8	7" - 13"	-65 F to +250 F
26DEK-8008HT	8 High Temp	7" - 13"	-40 F to +350 F
26DEK-8009	9	10" - 19"	-65 F to +250 F
26DEK-8009HT	9 High Temp	10" - 19"	-40 F to +350 F

- Durasil is an approved sealant for use with Dektite. Please see PB-20 for more information.

## DEKTITE RETROFIT FLEXIBLE PIPE FLASHING

- Designed for applications where you don't have easy access or when a repair is needed.
- All parts are grey in colour.



Part No.	Description	Fits Pipe
26DEK8011	No. 1	3/4" - 2-3/4"
26DEK8012	2	2" - 7-1/4"
26DEK8013	3	3-1/4" - 10"

## DEKSTRIP® Expandable Edge Flashing System

- Flexible weatherproof roof flashing system. Aluminum edging conforms to all roof panel configurations.
- Sold by the lineal foot



Part No.	Description
26DEKSTRIP-9	9 in. wide
26DEKSTRIP-18	18 in. wide

**RIDGE VENTING AND CLOSURES**

**FOAM CLOSURE STRIPS - PB-RIB**

Large Tab



Small Tab

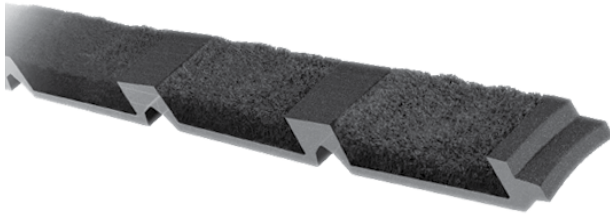


· 100 per/box

15CLOS-PBRL .....36" (Large Tab) Ridge c/w adhesive

15CLOS-PBRS.....36" (Small Tab) Eaves no adhesive

**VENTED CLOSURE - PB-RIB**



- Provides the ultimate attic ventilation benefits & eliminates condensation
- Made from durable, flame & tear-resistant, recycled fiber-based polyester. Non-woven and non-wicking
- Keeps out moisture, pests, dust & prevents wind driven rain infiltration
- Net Free Air of 17 sq. in. per linear ft.

· 25 per box

15PBLPVT.....Large Tab

**FLEX-O-VENT**



- Won't absorb moisture, which can freeze and block all ventilation
- Easy installation by just one person
- 40 Year Limited Warranty
- ASTM E 84 tested
- Made from recycled material
- Net Free Air of up to 23 sq. in. per linear ft.
- For rib height up to 1-1/4"

15FLEXOVENT-20..... 1.5" x 3" x 20' Rolls

## HIP AND VALLEY CLOSURES

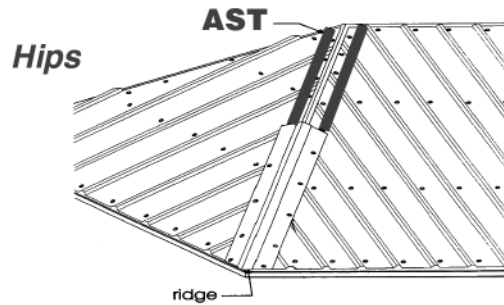
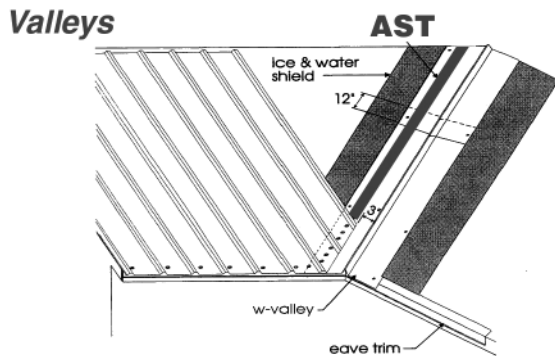
### EMSEAL AST

AST is a self-adhering tape seal made from resilient, open-cell polyurethane foam impregnated with a water-based acrylic-modified asphalt emulsion.

Ideal application temperature is approx. 75°F (24°C). Expansion will be faster at higher temperatures and slower at lower temperatures. For faster expansion in cold conditions keep the material warm before use.

- Polyurethane foam with acrylic, asphalt emulsion
- 16 rolls per box

15ASH-175 ..... 1-3/4" x 1-1/2" x 13.12 LF (4 metres)



**SEALANTS**

**DURASIL SEALANT / ADHESIVE**

Durasil can be used for a wide range of applications to ensure weather-tight protection. It can be used on metal flashings, roofing / siding, flexible pipe flashing, chimney stacks, cove joints, window / door frames.

- Translucent
- Neutral Cure. Will not promote corrosion of metal
- Solvent free, 100% solids will not shrink
- Non-slump, applies vertically and overhead
- 10 minute skin over
- +/-50% joint movement
- Service temperature range from -80°F to 400°F

· 24 per case  
41DURASIL - 300 ml Tube



**LAP SEALANTS**



**BUTYL TAPE SEALANT**

Designed to create a long lasting, flexible weather seal for metal to metal applications.

- Crosslinked for easy install on wide temperature ranges.
- No shrinkage
- Non-hardening

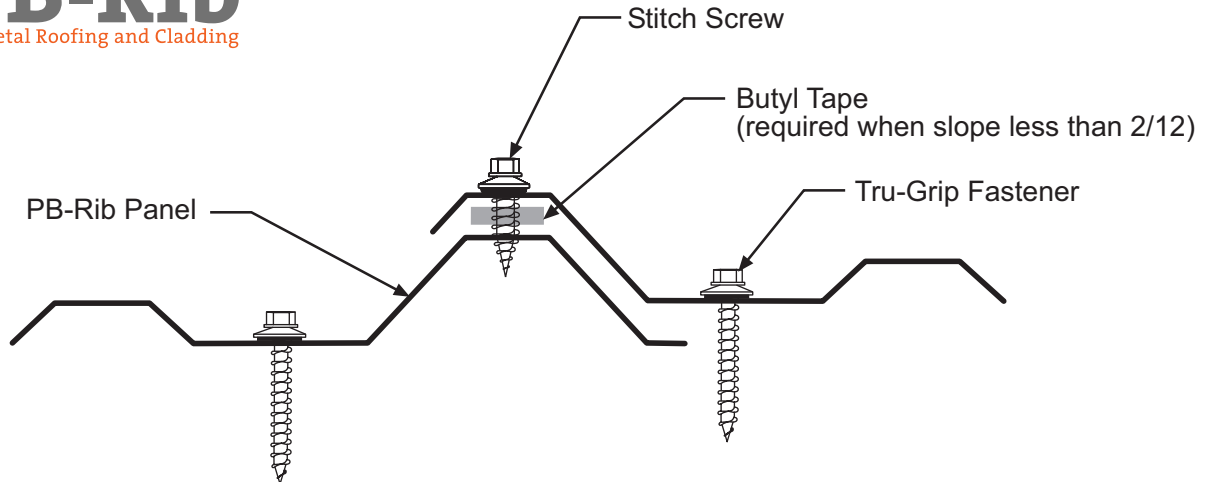
It is recommended that Butyl Tape not be applied below temperatures of 4 degrees Celsius unless the installed surface is free of all moisture, frost, and contaminants. Butyl Tape should not be applied if temperatures exceed 35 degrees Celsius.

· 24 per case  
14BUTYL-040..... 1/8" x 1/2" x 30' Roll

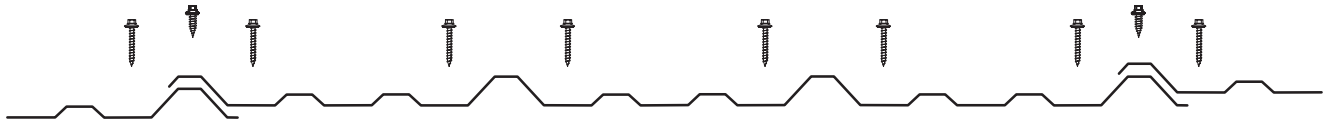
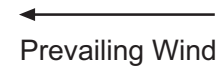


**BUTYL TUBE CAULKING**

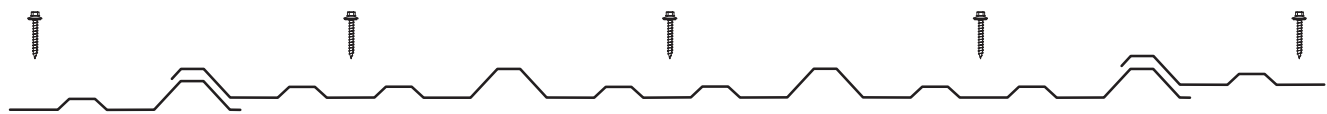
· 30 per case  
14BUTYL-042.....300 ml Cartridge



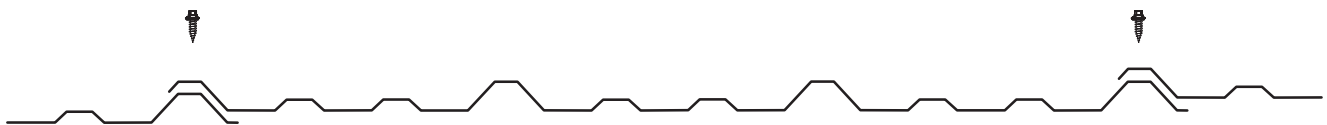
### Panel Ends (Ridge and Eave)



### Intermediate Panels (on purlins)



### Intermediate Panels (between purlins)



#### Notes:

- It is recommended panels should be fastened every 2' on center.
- Butyl tape on side laps is required when roof slope is below 2/12.
- Butyl tape not required for wall application.