

INDEX

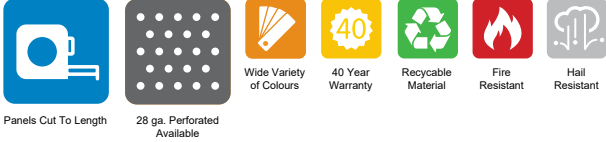
PRO-RIB / TUFF-RIB / LO-RIB PANELS / TRIMS & ACCESSORIES

Pro-Rib, Tuff-Rib, Lo-Rib Panel Profiles.....	PR-2
Gauges and Colours.....	PR-3 / 4
Flat Stock.....	PR-5
Perforated Panels.....	PR-6
Pro-Rib Metal Soffit	PR-7
Square Foot Coverage Tables	PR-8 / 9
Building Trims and Flashings	PR-10 / 11
Pro-Rib / Tuff-Rib Siding Trims.....	PR-12 / 13
Pro-Rib / Tuff-Rib / Lo-Rib Trims & Flashings	PR-14 to 31
Bi-fold Door Trims & Flashings.....	PR-32 to 35
Arch Trim Calculation	PR-36
Fasteners.....	PR-37
Dektite / Dekstrip Flexible Flashing	PR-38
Ridge Venting and Closures.....	PR-39
Hip & Valley Closures	PR-40
Durasil Sealant Adhesive / Lap Sealants	PR-41
Coverlite Polycarbonate Panels	PR-42

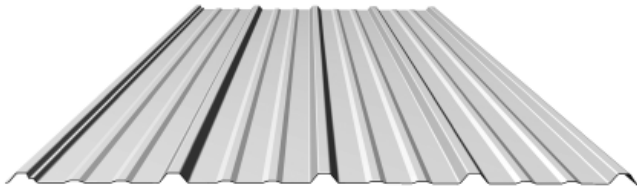


PRO-RIB / TUFF-RIB / LO-RIB ROOFING & WALL PANELS

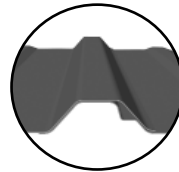
Features and Benefits



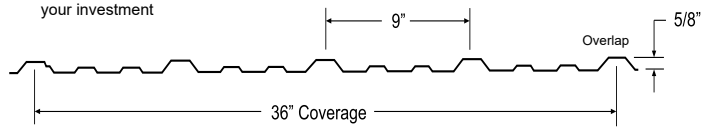
PRO-Rib
Metal Roofing and Cladding



• Standard lengths are 4' to 40'

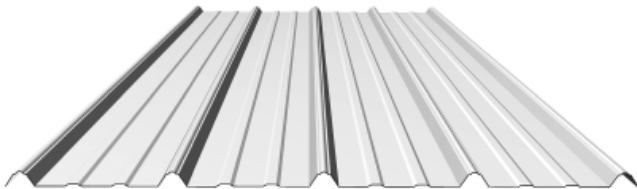


Superior weather-tight overlap design protects your investment

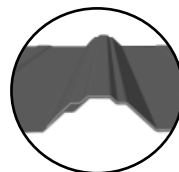


Reverse Pro-Rib profile available. For use on walls only.

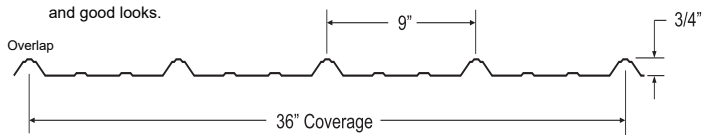
TUFF-Rib
Metal Roofing and Cladding



• Standard lengths are 4' to 40'



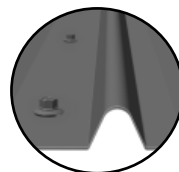
Stiffening rib adds strength and good looks.



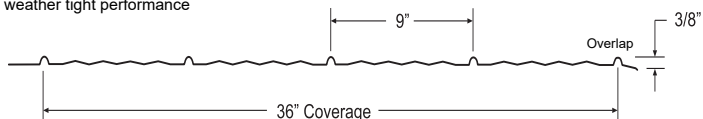
LO-Rib
Metal Roofing and Cladding



• Standard lengths are 4' to 35'



Unique fastening channel provides weather tight performance



PRO-RIB / TUFF-RIB / LO-RIB - Colours and Gauges

STOCK COLOURS - 40 Year Warranty unless stated otherwise. Please call for additional colours & availability. Colours shown below are for reference only. Please see our colour selector for accurate colour samples.

PREMIUM SERIES

Colour	QC Code	PRO-Rib		TUFF-Rib		LO-Rib
		28 ga. Hi-Tensile	26 ga.	28 ga. Hi-Tensile	26 ga.	28 ga. Hi-Tensile
White White	28317	•	•	•	•	•
Brite White	28783	•	•	•	•	•
Bone White	28273	•	•	•	•	•
Cambridge White	28695	•	•	•	•	•
Black (Low Gloss) *	28224	•	•	•	•	•
Melcher's Green	28307	•		•		•
Forest Green	28329	•		•		•
Heron Blue	28330	•		•		•
Slate Blue	28260	•		•		•
Tile Red	28259	•		•		•
Barn Red	28250	•	•	•	•	•
Burgundy	28011	•		•		•
Antique Linen	28696	•		•		•
Light Stone	28086	•		•		•
Buckskin	28055	•	•	•	•	•
Burnished Slate	28056	•		•		•
Tan	28315	•		•		•
Dark Brown	28229		•		•	
Coffee Brown	28326	•	•	•	•	•
Taupe	28058	•		•		•
Charcoal (Low Gloss) *	28710	•	•	•	•	•
MS Charcoal	28053	•		•		•
Iron Ore (Low Gloss) *	28614	•	•	•	•	•
Zinc Grey	28054	•		•		•
Stone Grey	28305	•		•		•
Regent Grey	28730	•		•		•

* Confirm with order desk prior to ordering as gloss levels may vary between gauges.

Panels less than 48" long are subject to a cutting charge

Additional packaging charges may apply for longer lengths.

PRO-RIB / TUFF-RIB / LO-RIB - Colours and Gauges

STOCK COLOURS- 40 Year Warranty unless stated otherwise. Please call for additional colours & availability. Colours shown below are for reference only. Please see our colour selector for accurate colour samples.

TEXTURED SERIES

Colour	PRO-Rib		TUFF-Rib	
	28 ga. Hi-Tensile	26 ga.	28 ga. Hi-Tensile	26 ga.
Jet Black		•		•
Graphite Grey		•		•
Burnished Slate		•		•

SPECIALTY SERIES

Colour	PRO-Rib		TUFF-Rib		LO-Rib
	28 ga. Hi-Tensile	26 ga.	28 ga. Hi-Tensile	26 ga.	28 ga. Hi-Tensile
Metallic Copper**	•		•		•
Bright Red (QC28386)	•		•		•

** Metallic Copper has a 30 year warranty.

UNPAINTED

Colour	PRO-Rib		TUFF-Rib		LO-Rib
	28 ga. Hi-Tensile	26 ga.	28 ga. Hi-Tensile	26 ga.	28 ga. Hi-Tensile
Galvalume Plus	•	•	•	•	•
Galvanized Plus	•	•	•	•	•

TRADESMAN SERIES - 20 Year Warranty

Colours shown below are for reference only. Please see our colour selector for accurate colour samples.

Colour	PRO-Rib 28 ga. Hi-Tensile	TUFF-Rib 28 ga. Hi-Tensile	LO-Rib 28 ga. Hi-Tensile
White White	•	•	•
Brite White	•	•	•

TOUCH-UP PAINT

14PT2-100.....2 oz. container w/brush

Larger sizes available upon request.

14PT8-100.....7 oz. spray touch-up paint



FLATSTOCK

- Flats are priced per square foot. Sold in full width of coil. Pallet charge will apply if order size requires it.
- Flats are available in 41, 43 and 48 inch widths depending on gauge and colour.
- * Confirm with order desk prior to ordering as gloss levels may vary between gauges.

Colour	QC Code	28 Gauge	26 Gauge			24 Gauge	
		41"	41"	43"	48"	43"	48"
White White	28317	•		•		•	
Brite White	28783	•		•			
Bone White	28273	•		•			
Cambridge White	28695	•		•			
Black (Low Gloss) *	28224	•	•	•	•	•	•
Melcher's Green	28307	•					
Forest Green	28329	•					
Heron Blue	28330	•					
Slate Blue	28260	•					
Tile Red	28259	•					
Barn Red	28250	•		•			
Burgundy	28011	•					
Antique Linen	28696	•					
Light Stone	28086	•					
Buckskin	28055	•		•			
Burnished Slate	28056	•					
Tan	28315	•					
Dark Brown	28229			•			
Coffee Brown	28326	•		•			
Taupe	28058	•					
Charcoal (Low Gloss) *	28710	•	•	•	•	•	•
MS Charcoal	28053	•					
Iron Ore (Low Gloss) *	28614	•		•			
Zinc Grey	28054	•					
Stone Grey	28305	•					
Regent Grey	28730	•					
Textured Jet Black			•				
Textured Graphite Grey			•				
Textured Burnished Slate			•				
Metallic Copper		•					•
Silver Metallic							•
Bright Red	28386	•					
Espresso Wood Grain							•
Barnboard Wood Grain							•
Galvalume Plus							
Galvanized Plus							

28 GAUGE PERFORATED PREPAINTED - 40 YEAR WARRANTY

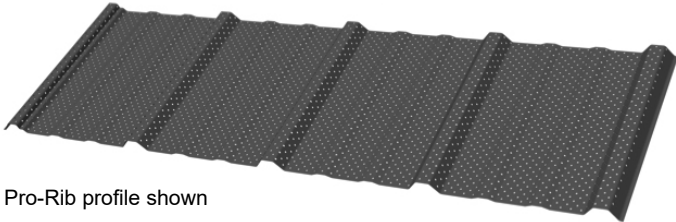
Perforated accoustical panels create a quiet and more controlled environment.

Brite White (QC 28783)

Black Low Gloss (QC 28224)

Coffee Brown (QC 28326)

Charcoal Low Gloss (QC 28710)

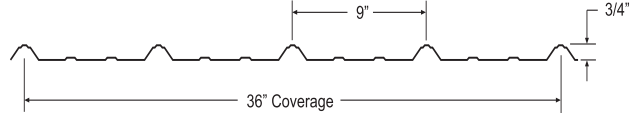


Pro-Rib profile shown

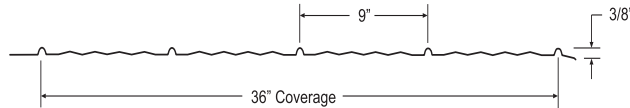
PRO-RIB: 4' to 40'



TUFF-RIB: 4' to 40'



LO-RIB: 4' to 35'



• Panels less than 48" long are subject to a cutting charge

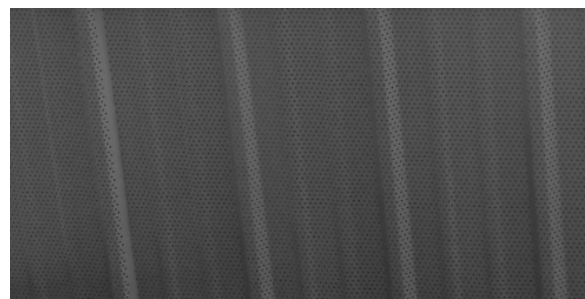
Domtek's Perforated Accoustical Panels create a quiet and more controlled environment.

As sound waves hit the panel, that noise dissipates through the perforations instead of rebounding back into the environment. Perforated Panels are made from 28-gauge hi-tensile steel and come with a 40-year warranty protecting your investment for a lifetime.

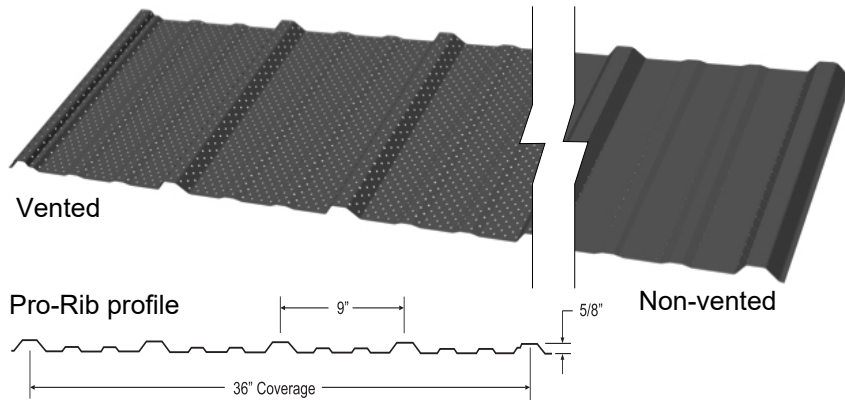
Available in 36" wide profiles, Domtek's Perforated Panels are custom cut to length for quick install. With a variety of colors to choose from, you can now color match the perforated panel to your metal building.

• 1/8" @ .325 spacing, 60 degree stagger, 13.4 % free air

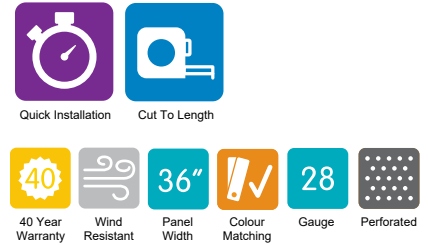
- Manufacturing Facilities
- Personnel / Office Enclosures
- Gymnasiums
- Restaurants
- Control Rooms
- Multi-Purpose Rooms
- Correctional Facilities
- Firing Ranges
- Motor & Pump Enclosures
- Stadiums / Arenas



PRO-RIB METAL SOFFIT



Features and Benefits



- Stronger than aluminum
- Less vibration from wind
- 13.4 % free air (vented profile)

- Available in custom cut lengths starting from 6".
- **To order panels over 48" long refer to Perforated Panels on page PR-6.**

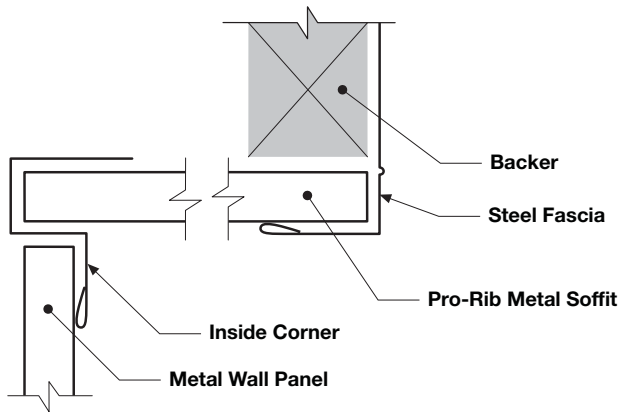
STOCK COLOURS - Please call for additional colours & availability

28 GAUGE HI-TENSILE PREPAINTED - 40 YEAR WARRANTY

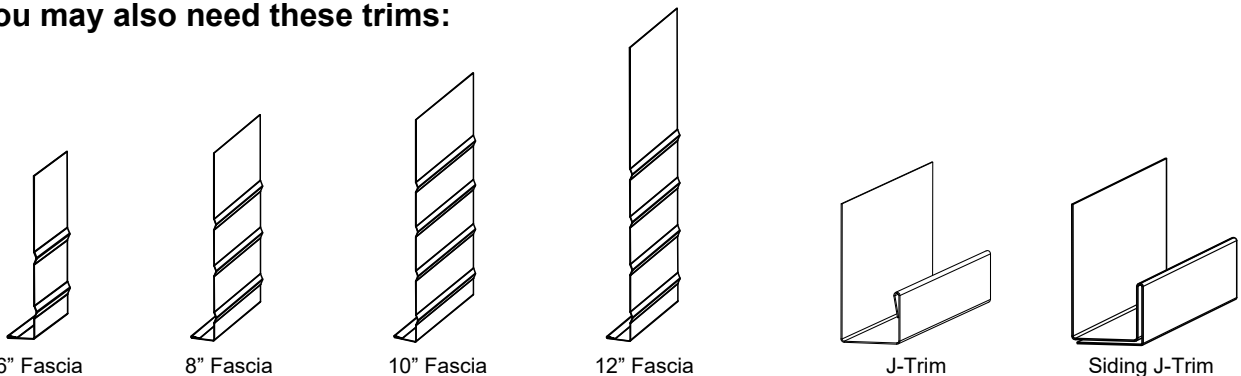
Brite White (QC 28783)
Black Low Gloss (QC 28224)

Coffee Brown (QC 28326)
Charcoal Low Gloss (QC 28710)

TRIMS & INSTALLATION



You may also need these trims:



PRO RIB / TUFF-RIB / LO-RIB SQ. FT. COVERAGE TABLE - 36" COVERAGE

Length	Inches	Coverage	Length	Inches	Coverage	Length	Inches	Coverage	Length	Inches	Coverage	Length	Inches	Coverage
2' 0"	24"	6.00	6' 0"	72"	18.00	10' 0"	120"	30.00	14' 0"	168"	42.00	18' 0"	216"	54.00
1"	25"	6.25	1"	73"	18.25	1"	121"	30.25	1"	169"	42.25	1"	217"	54.25
2"	26"	6.50	2"	74"	18.50	2"	122"	30.50	2"	170"	42.50	2"	218"	54.50
3"	27"	6.75	3"	75"	18.75	3"	123"	30.75	3"	171"	42.75	3"	219"	54.75
4"	28"	7.00	4"	76"	19.00	4"	124"	31.00	4"	172"	43.00	4"	220"	55.00
5"	29"	7.25	5"	77"	19.25	5"	125"	31.25	5"	173"	43.25	5"	221"	55.25
6"	30"	7.50	6"	78"	19.50	6"	126"	31.50	6"	174"	43.50	6"	222"	55.50
7"	31"	7.75	7"	79"	19.75	7"	127"	31.75	7"	175"	43.75	7"	223"	55.75
8"	32"	8.00	8"	80"	20.00	8"	128"	32.00	8"	176"	44.00	8"	224"	56.00
9"	33"	8.25	9"	81"	20.25	9"	129"	32.25	9"	177"	44.25	9"	225"	56.25
10"	34"	8.50	10"	82"	20.50	10"	130"	32.50	10"	178"	44.50	10"	226"	56.50
11"	35"	8.75	11"	83"	20.75	11"	131"	32.75	11"	179"	44.75	11"	227"	56.75
3' 0"	36"	9.00	7' 0"	84"	21.00	11' 0"	132"	33.00	15' 0"	180"	45.00	19' 0"	228"	57.00
1"	37"	9.25	1"	85"	21.25	1"	133"	33.25	1"	181"	45.25	1"	229"	57.25
2"	38"	9.50	2"	86"	21.50	2"	134"	33.50	2"	182"	45.50	2"	230"	57.50
3"	39"	9.75	3"	87"	21.75	3"	135"	33.75	3"	183"	45.75	3"	231"	57.75
4"	40"	10.00	4"	88"	22.00	4"	136"	34.00	4"	184"	46.00	4"	232"	58.00
5"	41"	10.25	5"	89"	22.25	5"	137"	34.25	5"	185"	46.25	5"	233"	58.25
6"	42"	10.50	6"	90"	22.50	6"	138"	34.50	6"	186"	46.50	6"	234"	58.50
7"	43"	10.75	7"	91"	22.75	7"	139"	34.75	7"	187"	46.75	7"	235"	58.75
8"	44"	11.00	8"	92"	23.00	8"	140"	35.00	8"	188"	47.00	8"	236"	59.00
9"	45"	11.25	9"	93"	23.25	9"	141"	35.25	9"	189"	47.25	9"	237"	59.25
10"	46"	11.50	10"	94"	23.50	10"	142"	35.50	10"	190"	47.50	10"	238"	59.50
11"	47"	11.75	11"	95"	23.75	11"	143"	35.75	11"	191"	47.75	11"	239"	59.75
4' 0"	48"	12.00	8' 0"	96"	24.00	12' 0"	144"	36.00	16' 0"	192"	48.00	20' 0"	240"	60.00
1"	49"	12.25	1"	97"	24.25	1"	145"	36.25	1"	193"	48.25	1"	242"	60.25
2"	50"	12.50	2"	98"	24.50	2"	146"	36.50	2"	194"	48.50	2"	242"	60.50
3"	51"	12.75	3"	99"	24.75	3"	147"	36.75	3"	195"	48.75	3"	243"	60.75
4"	52"	13.00	4"	100"	25.00	4"	148"	37.00	4"	196"	49.00	4"	244"	61.00
5"	53"	13.25	5"	101"	25.25	5"	149"	37.25	5"	197"	49.25	5"	245"	61.25
6"	54"	13.50	6"	102"	25.50	6"	150"	37.50	6"	198"	49.50	6"	246"	61.50
7"	55"	13.75	7"	103"	25.75	7"	151"	37.75	7"	199"	49.75	7"	247"	61.75
8"	56"	14.00	8"	104"	26.00	8"	152"	38.00	8"	200"	50.00	8"	248"	62.00
9"	57"	14.25	9"	105"	26.25	9"	153"	38.25	9"	201"	50.25	9"	249"	62.25
10"	58"	14.50	10"	106"	26.50	10"	154"	38.50	10"	202"	50.50	10"	250"	62.50
11"	59"	14.75	11"	107"	26.75	11"	155"	38.75	11"	203"	50.75	11"	251"	62.75
5' 0"	60"	15.00	9' 0"	108"	27.00	13' 0"	156"	39.00	17' 0"	204"	51.00	21' 0"	252"	63.00
1"	61"	15.25	1"	109"	27.25	1"	157"	39.25	1"	205"	51.25	1"	253"	63.25
2"	62"	15.50	2"	110"	27.50	2"	158"	39.50	2"	206"	51.50	2"	254"	63.50
3"	63"	15.75	3"	111"	27.75	3"	159"	39.75	3"	207"	51.75	3"	255"	63.75
4"	64"	16.00	4"	112"	28.00	4"	160"	40.00	4"	208"	52.00	4"	256"	64.00
5"	65"	16.25	5"	113"	28.25	5"	161"	40.25	5"	209"	52.25	5"	257"	64.25
6"	66"	16.50	6"	114"	28.50	6"	162"	40.50	6"	210"	52.50	6"	258"	64.50
7"	67"	16.75	7"	115"	28.75	7"	163"	40.75	7"	211"	52.75	7"	259"	64.75
8"	68"	17.00	8"	116"	29.00	8"	164"	41.00	8"	212"	53.00	8"	260"	65.00
9"	69"	17.25	9"	117"	29.25	9"	165"	41.25	9"	213"	53.25	9"	261"	65.25
10"	70"	17.50	10"	118"	29.50	10"	166"	41.50	10"	214"	53.50	10"	262"	65.50
11"	71"	17.75	11"	119"	29.75	11"	167"	41.75	11"	215"	53.75	11"	263"	65.75

PRO RIB / TUFF-RIB / LO-RIB SQ. FT. COVERAGE TABLE - 36" COVERAGE

Length	Inches	Coverage	Length	Inches	Coverage	Length	Inches	Coverage	Length	Inches	Coverage	Length	Inches	Coverage
22' 0"	264"	66.00	26' 0"	312"	78.00	30' 0"	360"	90.00	34' 0"	408"	102.00	37' 0"	444"	111.00
1"	265"	66.25	1"	313"	78.25	1"	361"	90.25	1"	409"	102.25	1"	445"	111.25
2"	266"	66.50	2"	314"	78.50	2"	362"	90.50	2"	410"	102.50	2"	446"	111.50
3"	267"	66.75	3"	315"	78.75	3"	363"	90.75	3"	411"	102.75	3"	447"	111.75
4"	268"	67.00	4"	316"	79.00	4"	364"	91.00	4"	412"	103.00	4"	448"	112.00
5"	269"	67.25	5"	317"	79.25	5"	365"	91.25	5"	413"	103.25	5"	449"	112.25
6"	270"	67.50	6"	318"	79.50	6"	366"	91.50	6"	414"	103.50	6"	450"	112.50
7"	271"	67.75	7"	319"	79.75	7"	367"	91.75	7"	415"	103.75	7"	451"	112.75
8"	272"	68.00	8"	320"	80.00	8"	368"	92.00	8"	416"	104.00	8"	452"	113.00
9"	273"	68.25	9"	321"	80.25	9"	369"	92.25	9"	417"	104.25	9"	453"	113.25
10"	274"	68.50	10"	322"	80.50	10"	370"	92.50	10"	418"	104.50	10"	454"	113.50
11"	275"	68.75	11"	323"	80.75	11"	371"	92.75	11"	419"	104.75	11"	455"	113.75
23' 0"	276"	69.00	27' 0"	324"	81.00	31' 0"	372"	93.00	35' 0"	420"	105.00	38' 0"	456"	114.00
1"	277"	69.25	1"	325"	81.25	1"	373"	93.25	1"	421"	105.25	1"	457"	114.25
2"	278"	69.50	2"	326"	81.50	2"	374"	93.50	2"	422"	105.50	2"	458"	114.50
3"	279"	69.75	3"	327"	81.75	3"	375"	93.75	3"	423"	105.75	3"	459"	114.75
4"	280"	70.00	4"	328"	82.00	4"	376"	94.00	4"	424"	106.00	4"	460"	115.00
5"	281"	70.25	5"	329"	82.25	5"	377"	94.25	5"	425"	106.25	5"	461"	115.25
6"	282"	70.50	6"	330"	82.50	6"	378"	94.50	6"	426"	106.50	6"	462"	115.50
7"	283"	70.75	7"	331"	82.75	7"	379"	94.75	7"	427"	106.75	7"	463"	115.75
8"	284"	71.00	8"	332"	83.00	8"	380"	95.00	8"	428"	107.00	8"	464"	116.00
9"	285"	71.25	9"	333"	83.25	9"	381"	95.25	9"	429"	107.25	9"	465"	116.25
10"	286"	71.50	10"	334"	83.50	10"	382"	95.50	10"	430"	107.50	10"	466"	116.50
11"	287"	71.75	11"	335"	83.75	11"	383"	95.75	11"	431"	107.75	11"	467"	116.75
24' 0"	288"	72.00	28' 0"	336"	84.00	32' 0"	384"	96.00	36' 0"	432"	108.00	39' 0"	468"	117.00
1"	289"	72.25	1"	337"	84.25	1"	385"	96.25	1"	433"	108.25	1"	469"	117.25
2"	290"	72.50	2"	338"	84.50	2"	386"	96.50	2"	434"	108.50	2"	470"	117.50
3"	291"	72.75	3"	339"	84.75	3"	387"	96.75	3"	435"	108.75	3"	471"	117.75
4"	292"	73.00	4"	340"	85.00	4"	388"	97.00	4"	436"	109.00	4"	472"	118.00
5"	293"	73.25	5"	341"	85.25	5"	389"	97.25	5"	437"	109.25	5"	473"	118.25
6"	294"	73.50	6"	342"	85.50	6"	390"	97.50	6"	438"	109.50	6"	474"	118.50
7"	295"	73.75	7"	343"	85.75	7"	391"	97.75	7"	439"	109.75	7"	475"	118.75
8"	296"	74.00	8"	344"	86.00	8"	392"	98.00	8"	440"	110.00	8"	476"	119.00
9"	297"	74.25	9"	345"	86.25	9"	393"	98.25	9"	441"	110.25	9"	477"	119.25
10"	298"	74.50	10"	346"	86.50	10"	394"	98.50	10"	442"	110.50	10"	478"	119.50
11"	299"	74.75	11"	347"	86.75	11"	395"	98.75	11"	443"	110.75	11"	479"	119.75
25' 0"	300"	75.00	29' 0"	348"	87.00	33' 0"	396"	99.00	40' 0"	480"	120.00	Notes: · Maximum length available for Lo-Rib is 35'. · Each length is rounded up to next whole number.		
1"	301"	75.25	1"	349"	87.25	1"	397"	99.25						
2"	302"	75.50	2"	350"	87.50	2"	398"	99.50						
3"	303"	75.75	3"	351"	87.75	3"	399"	99.75						
4"	304"	76.00	4"	352"	88.00	4"	400"	100.00						
5"	305"	76.25	5"	353"	88.25	5"	401"	100.25						
6"	306"	76.50	6"	354"	88.50	6"	402"	100.50						
7"	307"	76.75	7"	355"	88.75	7"	403"	100.75						
8"	308"	77.00	8"	356"	89.00	8"	404"	101.00						
9"	309"	77.25	9"	357"	89.25	9"	405"	101.25						
10"	310"	77.50	10"	358"	89.50	10"	406"	101.50						
11"	311"	77.75	11"	359"	89.75	11"	407"	101.75						

METAL BUILDING TRIMS AND FLASHINGS

28
Gauge

26
Gauge

· Most trims available in 10'6" / 12'6" / 14' 6" and 16' 6" lengths.

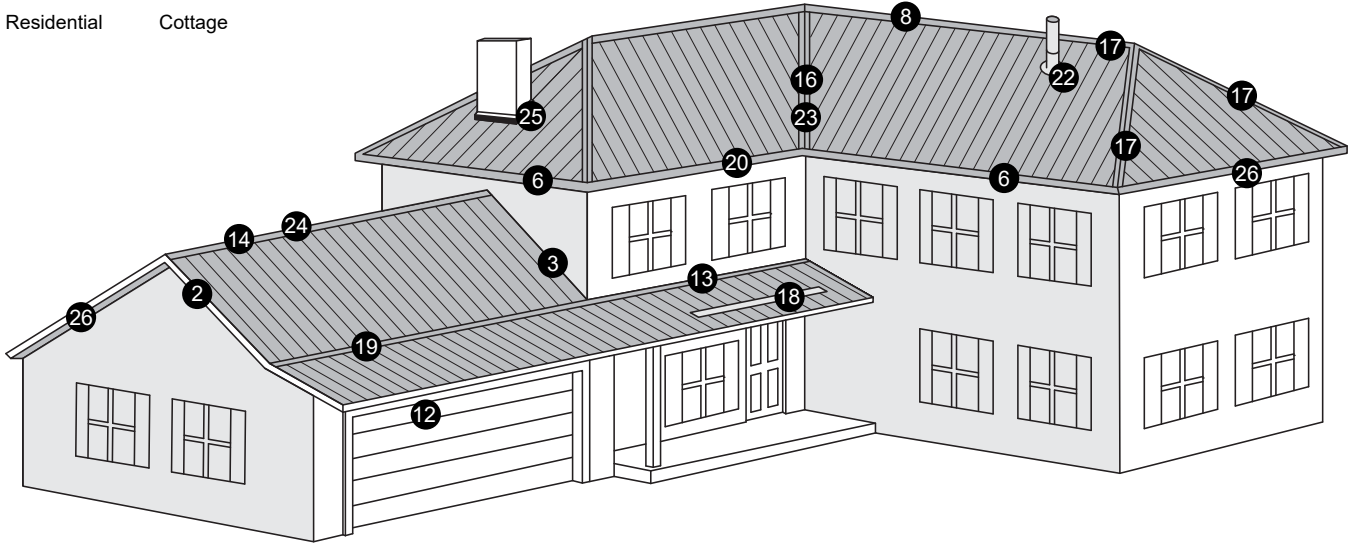


Residential



Cottage

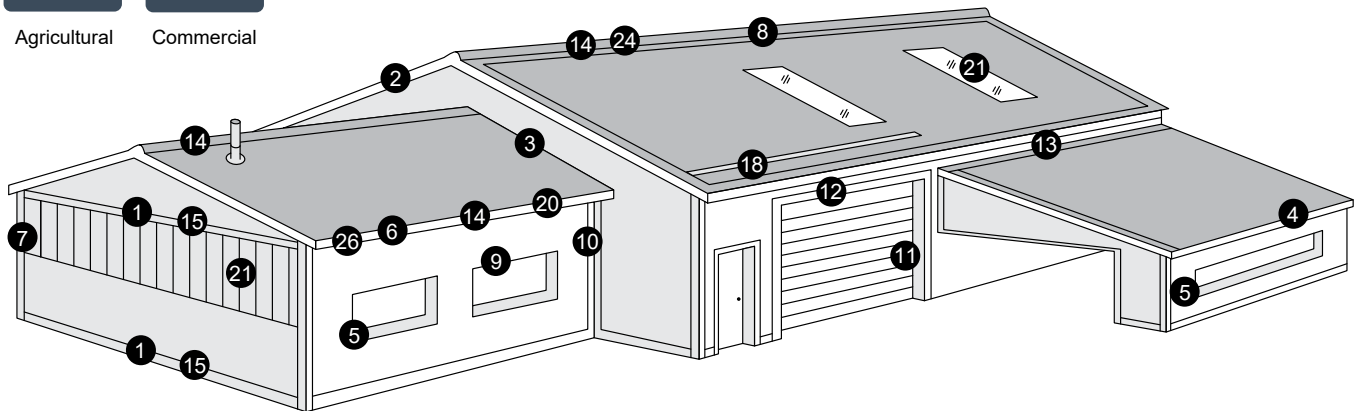
Please note that the numbers are for illustration purposes only. When ordering, please refer to pages PR-12 to PR-31 for trim and flashing part #'s.



Agricultural



Commercial



CUSTOM TRIMS

- Custom trims are available. Call for pricing.

SEE PAGE PR-12-13 FOR NEW SIDING TRIMS.

1 A2 Base Divider



2 A6B, 30, 31 Gable Flashing



3 A15 Sidewall Flashing



4 A9B Eave Flashing



5 A1/S10875 J Trim



6 A7B, 28, 29, Rake Flashing



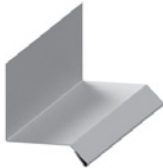
7 A4B/S40875 Outside Corner



8 A12B Ridge Cover



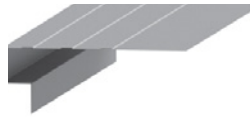
9 A3 Drip Flashing



10 A5/S50875 Inside Corner



11 A11B Door Jamb Flashing



12 A10 Header Trim



13 A14 Endwall Flashing



14 Large or Small Tab Closure



15 A19 Box Base



16 A17 W Valley Flashing



17 A41 12" LP Ridge Cover



18 A20 Snow Guard



19 A26 Pitch Break Flashing



20 A32B, 33B, 34B, 35B Steel Fascia



21 Coverlite Polycarbonates or Verolite Multiwall



22 Dektite Pipe Flashing



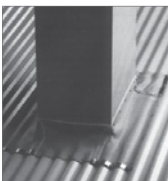
23 Hip & Valley Closure



24 Vented Closure



25 9" Dekstrip



26 Pro-Rib Metal Soffit



Butyl Tape & Caulking



Type 17 HiLo Fasteners



Tru-Grip OSW Fasteners



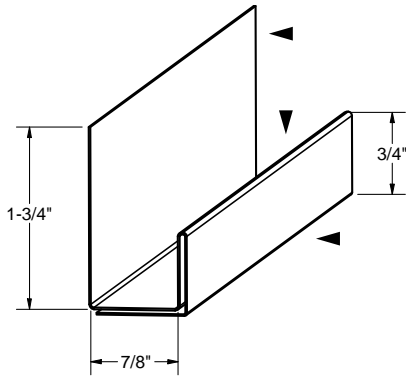
For use with Coverlite Panels

28/26/24 GA. SIDING TRIMS

(P.P. Indicates Pre-Painted)

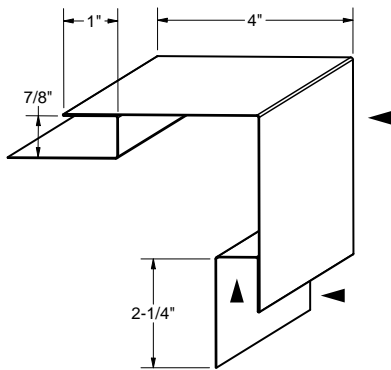
LENGTH

10' 6" 12' 6" 14' 6" 16' 6"



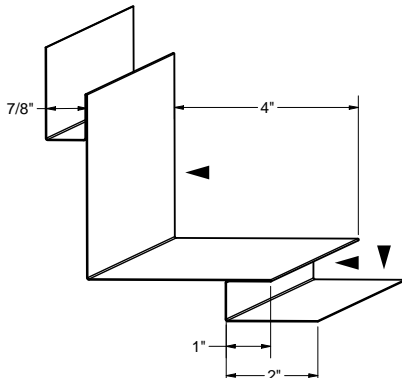
S10875	7/8" Siding J Trim P.P.	•	•	N/A	N/A
S10875	7/8" Siding J Trim Galv	•	•	N/A	N/A

· Colour on both sides



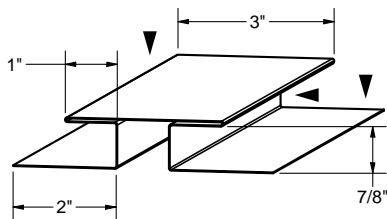
S40875	7/8" Outside Corner P.P.	•	•	N/A	N/A
S40875	7/8" Outside Corner Galv	•	•	N/A	N/A

· Colour on both sides



S50875	7/8" Inside Corner P.P.	•	•	N/A	N/A
S50875	7/8" Inside Corner Galv	•	•	N/A	N/A

· Colour on both sides



S760875	7/8" H Divider P.P.	•	•	N/A	N/A
S760875	7/8" H Divider Galv	•	•	N/A	N/A

· Colour on both sides

STANDARD TRIM IS FOR 4/12 PITCH.

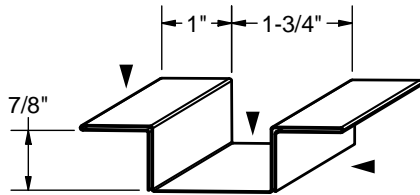
▶ INDICATES PAINTED SIDE

28/26/24 GA. SIDING TRIMS

(P.P. Indicates Pre-Painted)

LENGTH

10' 6" 12' 6" 14' 6" 16' 6"



S770875	7/8" Recessed Divider P.P.	•	•	N/A	N/A
S770875	7/8" Recessed Divider Galv	•	•	N/A	N/A

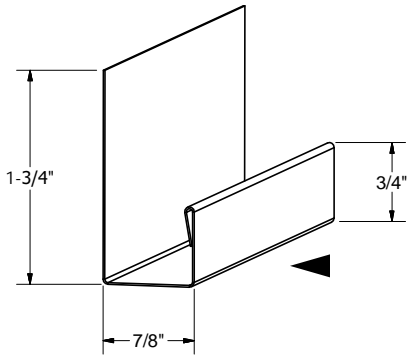
· Colour on both sides

28/26 GA. PRO-RIB / TUFF-RIB / LO-RIB

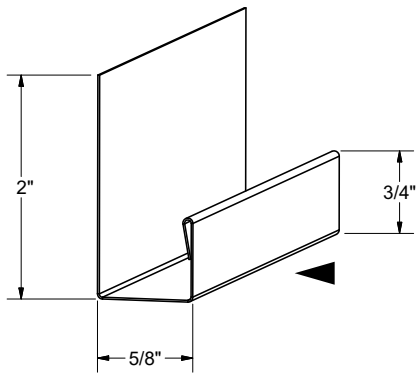
LENGTH

(P.P. Indicates Pre-Painted)

10' 6" 12' 6" 14' 6" 16' 6"

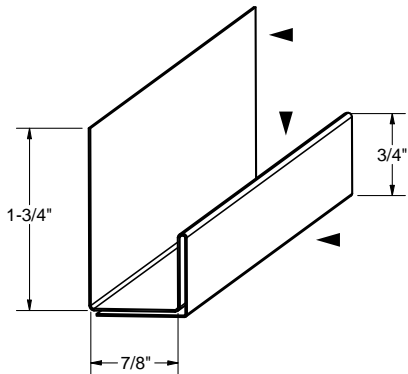


		10' 6"	12' 6"	14' 6"	16' 6"
A1	J Trim P.P.	•	•	•	•
A1	J Trim Galv	•	•	•	•



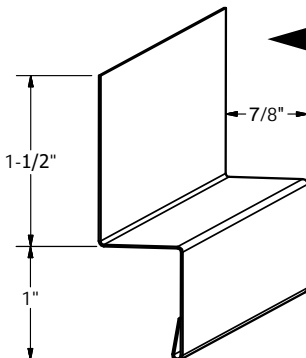
A1LR	J Trim P.P. (1/2")	•	•	N/A	N/A
A1LR	J Trim Galv (1/2")	•	•	N/A	N/A

· Use with Lo-Rib panel only.



S10875	7/8" Siding J Trim P.P.	•	•	N/A	N/A
S10875	7/8" Siding J Trim Galv	•	•	N/A	N/A

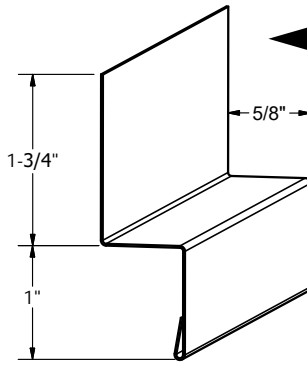
· Colour on both sides



A2	Base / Divider P.P.	•	•	N/A	N/A
A2	Base / Divider Galv.	•	•	N/A	N/A

STANDARD TRIM IS FOR 4/12 PITCH.

▶ INDICATES PAINTED SIDE



28/26 GA. PRO-RIB / TUFF-RIB / LO-RIB

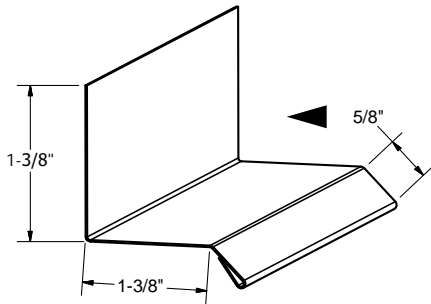
LENGTH

(P.P. Indicates Pre-Painted)

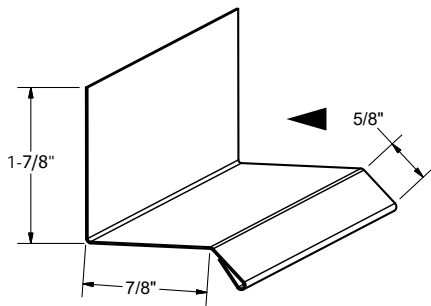
10' 6" 12' 6" 14' 6" 16' 6"

A2LR	Base / Divider P.P.	•	•	N/A	N/A
A2LR	Base / Divider Galv.	•	•	N/A	N/A

· Use with Lo-Rib panel only.

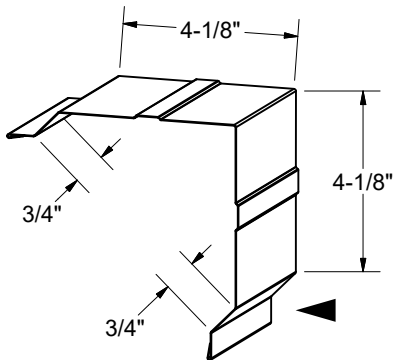


A3	Drip Flashing P.P.	•	•	N/A	N/A
A3	Drip Flashing Galv.	•	•	N/A	N/A



A3LR	Drip Flashing P.P.	•	•	N/A	N/A
A3LR	Drip Flashing Galv.	•	•	N/A	N/A

· Use with Lo-Rib panel only.



A4B	Outside Corner P.P.	•	•	•	•
A4B	Outside Corner Galv.	•	•	•	•

STANDARD TRIM IS FOR 4/12 PITCH.

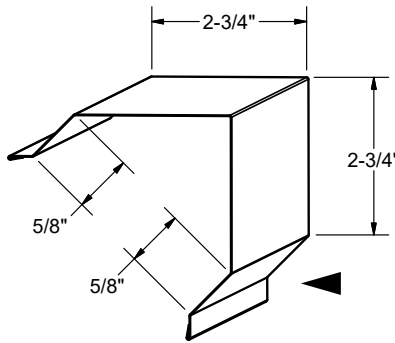
▶ INDICATES PAINTED SIDE

28/26 GA. PRO-RIB / TUFF-RIB / LO-RIB

LENGTH

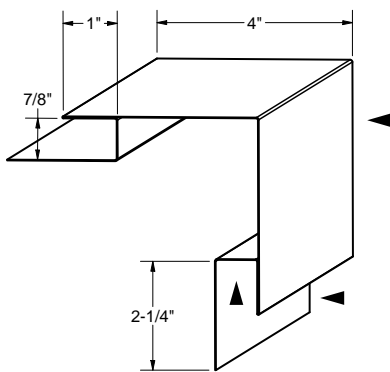
(P.P. Indicates Pre-Painted)

10' 6" 12' 6" 14' 6" 16' 6"



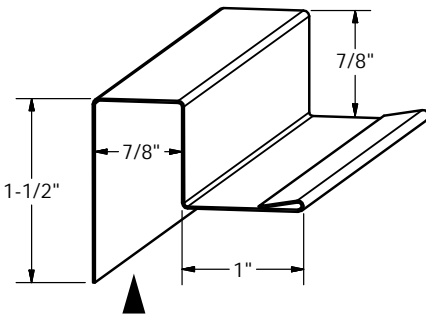
A4LR	Outside Corner P.P.	•	•	•	•
A4LR	Outside Corner Galv.	•	•	•	•

· Use with Lo-Rib panel only.

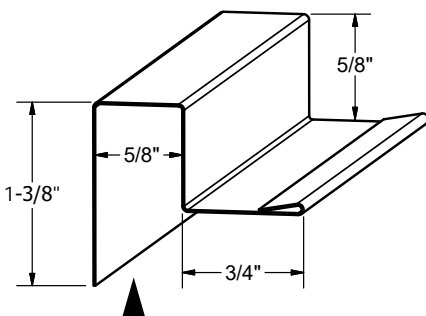


S40875	7/8" Outside Corner P.P.	•	•	N/A	N/A
S40875	7/8" Outside Corner Galv.	•	•	N/A	N/A

· Colour on both sides



A5	Inside Corner P.P.	•	•	•	•
A5	Inside Corner Galv.	•	•	•	•

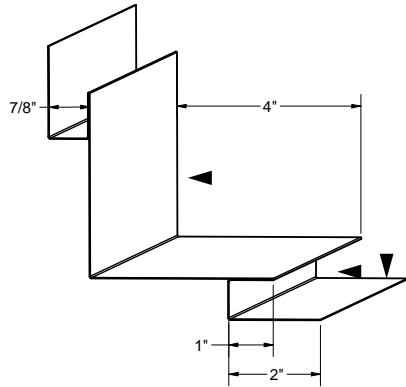


A5LR	Inside Corner P.P.	•	•	N/A	N/A
A5LR	Inside Corner Galv.	•	•	N/A	N/A

· Use with Lo-Rib panel only.

STANDARD TRIM IS FOR 4/12 PITCH.

▶ INDICATES PAINTED SIDE



28/26 GA. PRO-RIB / TUFF-RIB / LO-RIB

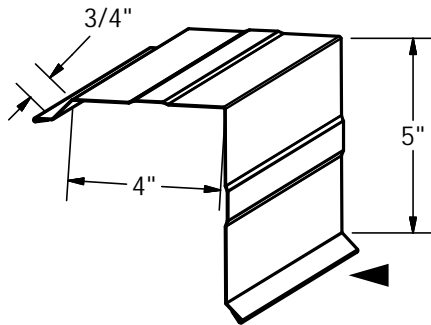
(P.P. Indicates Pre-Painted)

LENGTH

10' 6" 12' 6" 14' 6" 16' 6"

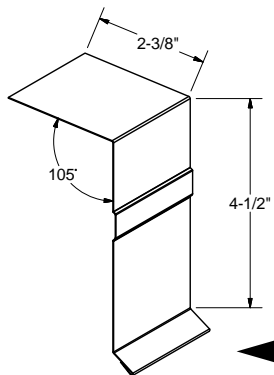
S50875	7/8" Inside Corner P.P.	•	•	N/A	N/A
S50875	7/8" Inside Corner Galv	•	•	N/A	N/A

· Colour on both sides



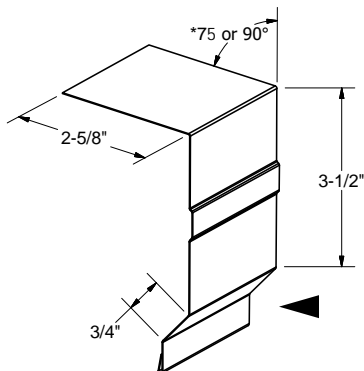
A6B	Gable Flashing P.P.	•	•	•	•
A6B	Gable Flashing Galv.	•	•	•	•

· Use with A7B Rake Flashing
· Use with A72 Peak Flashing



A7B	Rake Flashing P.P.	•	•	•	•
A7B	Rake Flashing Galv.	•	•	•	•

· Use with A6B Gable Flashing



A9B	Eave Flashing P.P.	•	•	•	•
A9B	Eave Flashing Galv.	•	•	•	•

* Specify angle when ordering

STANDARD TRIM IS FOR 4/12 PITCH.

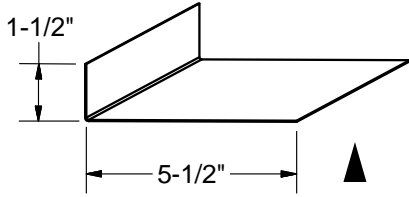
▶ INDICATES PAINTED SIDE

28/26 GA. PRO-RIB / TUFF-RIB / LO-RIB

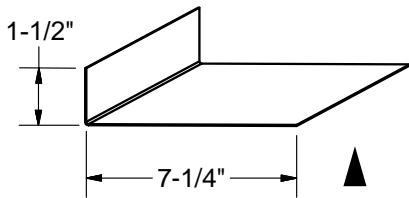
LENGTH

(P.P. Indicates Pre-Painted)

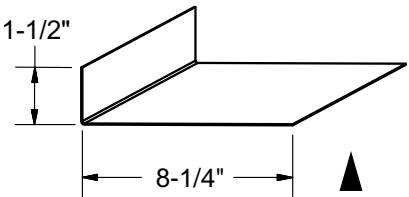
10' 6" 12' 6" 14' 6" 16' 6"



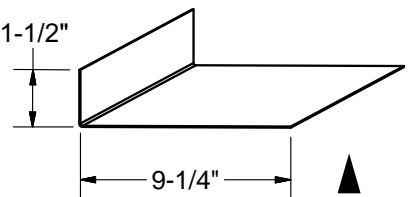
A10	5.50 Header Trim P.P.	•	•	•	•
A10	5.50 Header Trim Galv.	•	•	•	•



A10	7.25 Header Trim P.P.	•	•	•	•
A10	7.25 Header Trim Galv.	•	•	•	•



A10	8.25 Header Trim P.P.	•	•	•	•
A10	8.25 Header Trim Galv.	•	•	•	•



A10	9.25 Header Trim P.P.	•	•	•	•
A10	9.25 Header Trim Galv.	•	•	•	•

STANDARD TRIM IS FOR 4/12 PITCH.

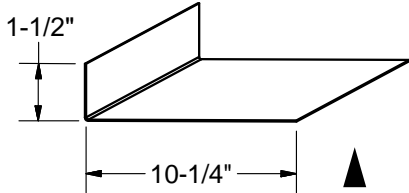
▶ INDICATES PAINTED SIDE

28/26 GA. PRO-RIB / TUFF-RIB / LO-RIB

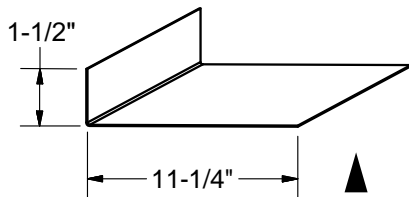
LENGTH

(P.P. Indicates Pre-Painted)

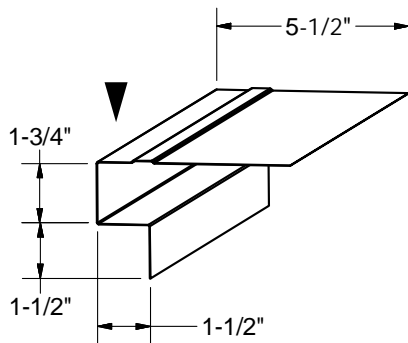
10' 6" 12' 6" 14' 6" 16' 6"



A10	10.25 Header Trim P.P.	•	•	•	•
A10	10.25 Header Trim Galv.	•	•	•	•

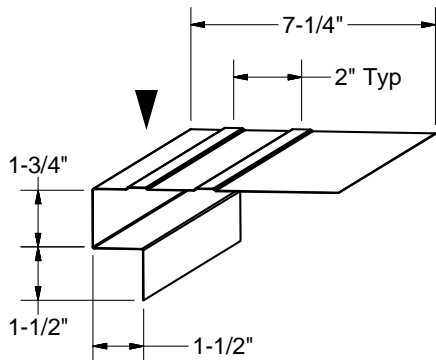


A10	11.25 Header Trim P.P.	•	•	•	•
A10	11.25 Header Trim Galv.	•	•	•	•



A11B	5.50 Door Jamb Flashing P.P.	•	•	•	•
A11B	5.50 Door Jamb Flashing Galv.	•	•	•	•

· Available with or without stiffening ribs.



A11B	7.25 Door Jamb Flashing P.P.	•	•	•	•
A11B	7.25 Door Jamb Flashing Galv.	•	•	•	•

· Available with or without stiffening ribs.

STANDARD TRIM IS FOR 4/12 PITCH.

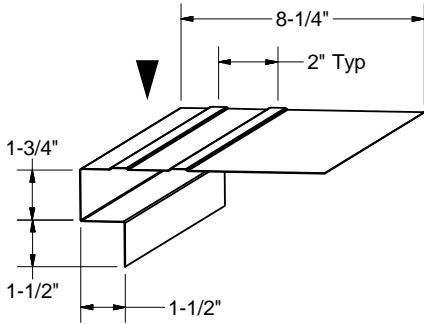
▶ INDICATES PAINTED SIDE

28/26 GA. PRO-RIB / TUFF-RIB / LO-RIB

LENGTH

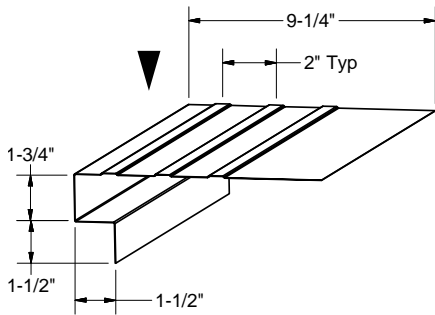
(P.P. Indicates Pre-Painted)

10' 6" 12' 6" 14' 6" 16' 6"



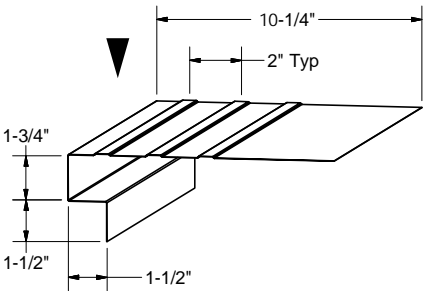
A11B	8.25 Door Jamb Flashing P.P.	•	•	•	•
A11B	8.25 Door Jamb Flashing Galv.	•	•	•	•

· Available with or without stiffening ribs.



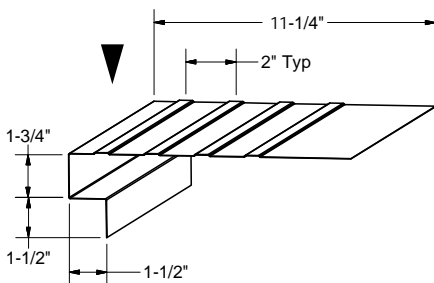
A11B	9.25 Door Jamb Flashing P.P.	•	•	•	•
A11B	9.25 Door Jamb Flashing Galv.	•	•	•	•

· Available with or without stiffening ribs.



A11B	10.25 Door Jamb Flashing P.P.	•	•	•	•
A11B	10.25 Door Jamb Flashing Galv.	•	•	•	•

· Available with or without stiffening ribs.



A11B	11.25 Door Jamb Flashing P.P.	•	•	•	•
A11B	11.25 Door Jamb Flashing Galv.	•	•	•	•

· Available with or without stiffening ribs.

STANDARD TRIM IS FOR 4/12 PITCH.

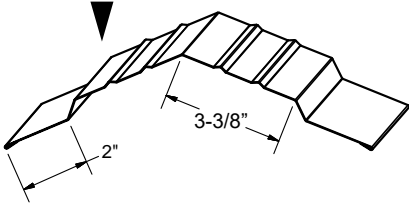
▶ INDICATES PAINTED SIDE

28/26 GA. PRO-RIB / TUFF-RIB / LO-RIB

LENGTH

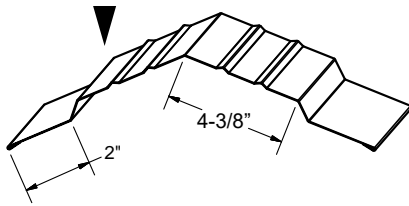
(P.P. Indicates Pre-Painted)

10' 6" 12' 6" 14' 6" 16' 6"



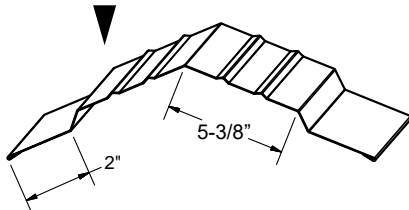
A12B	12" Ridge Cover P.P.	•	•	•	•
A12B	12" Ridge Cover Galv.	•	•	•	•

· 2" Tru-Grip fastener is recommended for installation.



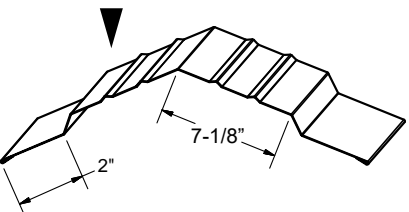
A12B/14	14" Ridge Cover P.P.	•	•	•	•
A12B/14	14" Ridge Cover Galv.	•	•	•	•

· 2" Tru-Grip fastener is recommended for installation.



A12B/16	16" Ridge Cover P.P.	•	•	•	•
A12B/16	16" Ridge Cover Galv.	•	•	•	•

· 2" Tru-Grip fastener is recommended for installation.



A12B/20	20" Ridge Cover P.P.	•	•	•	•
A12B/20	20" Ridge Cover Galv.	•	•	•	•

· 2" Tru-Grip fastener is recommended for installation.

STANDARD TRIM IS FOR 4/12 PITCH.

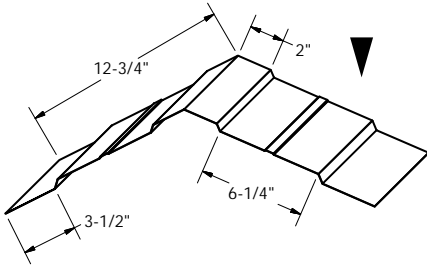
▶ INDICATES PAINTED SIDE

28/26 GA. PRO-RIB / TUFF-RIB / LO-RIB

LENGTH

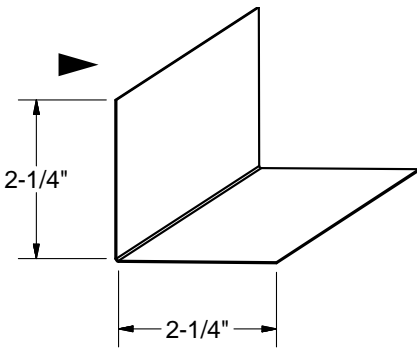
(P.P. Indicates Pre-Painted)

10' 6" 12' 6" 14' 6" 16' 6"

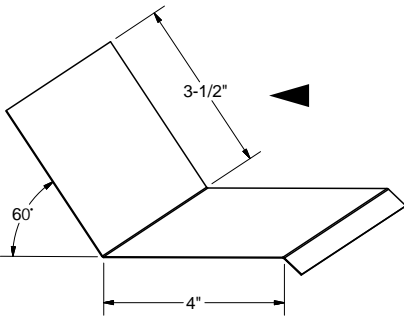


A12B/24	24" Ridge Cover P.P.	•	•	•	•
A12B/24	24" Ridge Cover Galv.	•	•	•	•

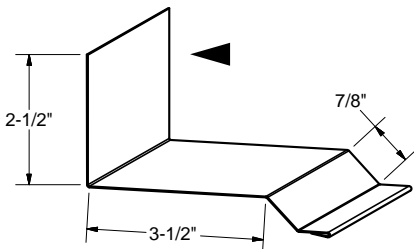
- Matches 24" Coverlite polycarbonate Ridge Cover.
- 2" Tru-Grip fastener is recommended for installation.



A13	Universal Flashing P.P.	•	•	•	•
A13	Universal Flashing Galv.	•	•	•	•



A14	Endwall Flashing P.P.	•	•	•	•
A14	Endwall Flashing Galv.	•	•	•	•



A15	Sidewall Flashing P.P.	•	•	•	•
A15	Sidewall Flashing Galv.	•	•	•	•

STANDARD TRIM IS FOR 4/12 PITCH.

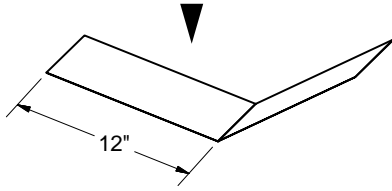
▶ INDICATES PAINTED SIDE

28/26 GA. PRO-RIB / TUFF-RIB / LO-RIB

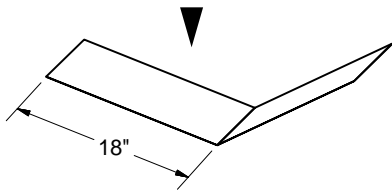
LENGTH

(P.P. Indicates Pre-Painted)

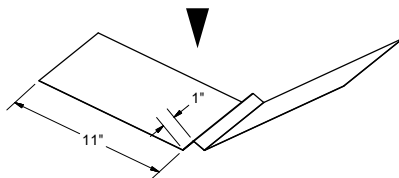
10' 6" 12' 6" 14' 6" 16' 6"



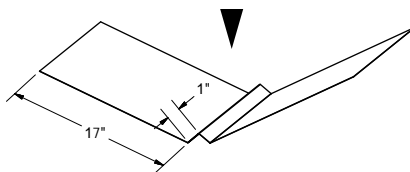
A16	24" Valley Flashing P.P.	•	•	N/A	N/A
A16	24" Valley Flashing Galv.	•	•	N/A	N/A



A16	36" Valley Flashing P.P.	•	•	N/A	N/A
A16	36" Valley Flashing Galv.	•	•	N/A	N/A



A17	24" W Valley Flashing P.P.	•	•	N/A	N/A
A17	24" W Valley Flashing Galv.	•	•	N/A	N/A



A17	36" W Valley Flashing P.P.	•	•	N/A	N/A
A17	36" W Valley Flashing Galv.	•	•	N/A	N/A

STANDARD TRIM IS FOR 4/12 PITCH.

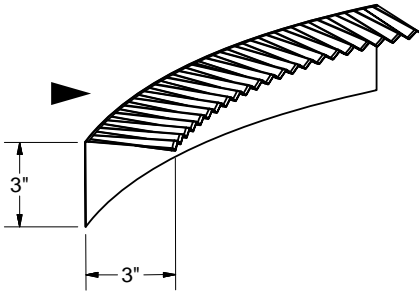
▶ INDICATES PAINTED SIDE

28/26 GA. PRO-RIB / TUFF-RIB / LO-RIB

LENGTH

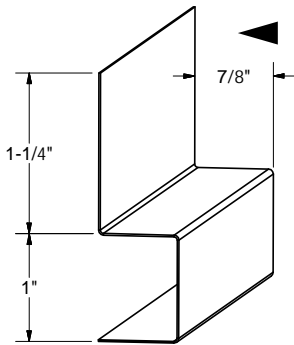
(P.P. Indicates Pre-Painted)

10' 6" 12' 6" 14' 6" 16' 6"

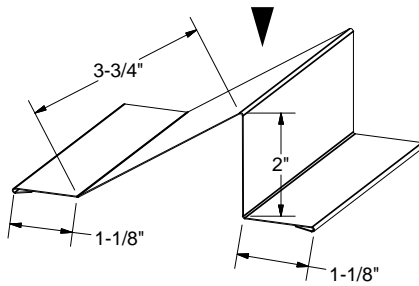


A18 Arch Trim P.P.	•	N/A	N/A	N/A
A18 Arch Trim Galv.	•	N/A	N/A	N/A

· For instructions on arch trim calculation, see page PR-36.

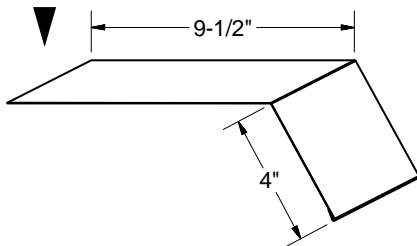


A19 Box Base P.P.	•	•	N/A	N/A
A19 Box Base Galv.	•	•	N/A	N/A



A20 Snow Guard P.P.	•	•	•	•
A20 Snow Guard Galv.	•	•	•	•

· 2-1/2" Tru-Grip fastener is recommended for installation.



A25 Gambrel Roof Flashing P.P.	•	•	•	•
A25 Gambrel Roof Flashing Galv.	•	•	•	•

· Both roof pitches are required at time of ordering

STANDARD TRIM IS FOR 4/12 PITCH.

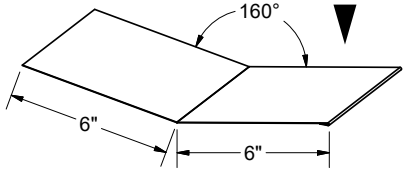
▶ INDICATES PAINTED SIDE

28/26 GA. PRO-RIB / TUFF-RIB / LO-RIB

LENGTH

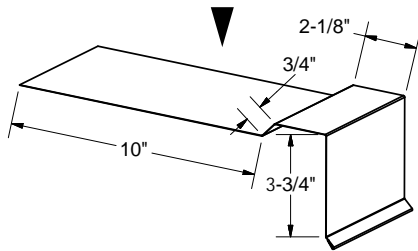
(P.P. Indicates Pre-Painted)

10' 6" 12' 6" 14' 6" 16' 6"

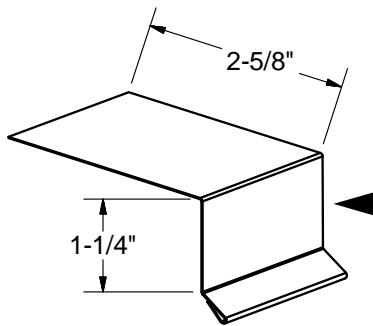


A26	Pitch Break Flashing P.P.	•	•	•	•
A26	Pitch Break Flashing Galv.	•	•	•	•

· Both roof pitches are required at time of ordering

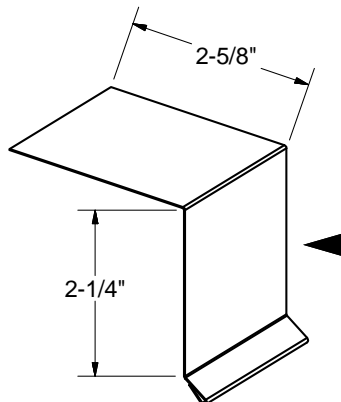


A27	Prow Flashing P.P.	•	•	•	•
A27	Prow Flashing Galv.	•	•	•	•



A28	1.25 Rake Flashing P.P.	•	•	•	•
A28	1.25 Rake Flashing Galv.	•	•	•	•

· Use with A-30 1.75 Gable Trim



A29	2.25 Rake Flashing P.P.	•	•	•	•
A29	2.25 Rake Flashing Galv.	•	•	•	•

· Use with A-31 2.75 Gable Trim

STANDARD TRIM IS FOR 4/12 PITCH.

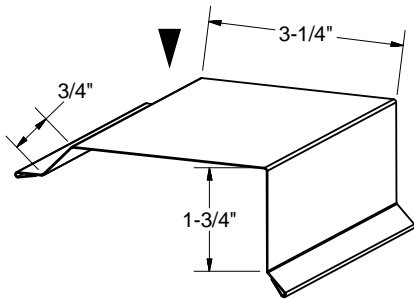
▶ INDICATES PAINTED SIDE

28/26 GA. PRO-RIB / TUFF-RIB / LO-RIB

LENGTH

(P.P. Indicates Pre-Painted)

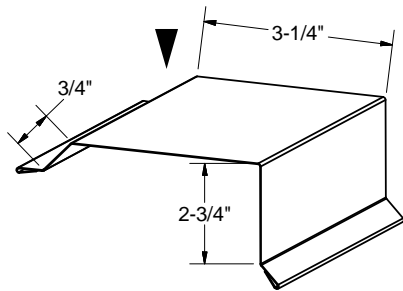
10' 6" 12' 6" 14' 6" 16' 6"



A30	1.75 Gable Flashing P.P.	•	•	•	•
-----	--------------------------	---	---	---	---

A30	1.75 Gable Flashing Galv.	•	•	•	•
-----	---------------------------	---	---	---	---

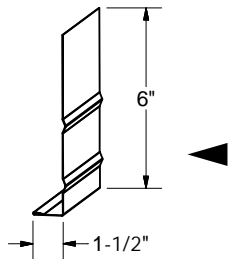
- Use with A-28 1.25 Rake Flashing
- Use with A-72R 2.25 Peak Flashing



A31	2.75 Gable Flashing P.P.	•	•	•	•
-----	--------------------------	---	---	---	---

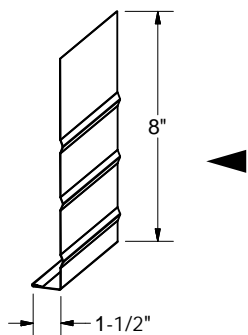
A31	2.75 Gable Flashing Galv.	•	•	•	•
-----	---------------------------	---	---	---	---

- Use with A-28 1.25 Rake Flashing
- Use with A-72R 3.25 Peak Flashing



A32B	6" Steel Fascia P.P.	•	•	•	•
------	----------------------	---	---	---	---

A32B	6" Steel Fascia Galv.	•	•	•	•
------	-----------------------	---	---	---	---

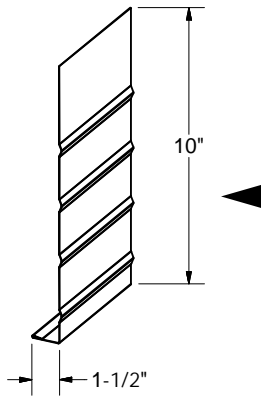


A33B	8" Steel Fascia P.P.	•	•	•	•
------	----------------------	---	---	---	---

A33B	8" Steel Fascia Galv.	•	•	•	•
------	-----------------------	---	---	---	---

STANDARD TRIM IS FOR 4/12 PITCH.

▶ INDICATES PAINTED SIDE



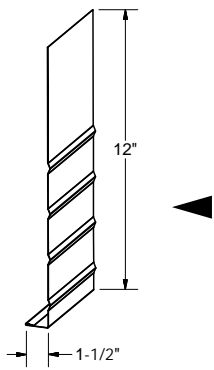
28/26 GA. PRO-RIB / TUFF-RIB / LO-RIB

(P.P. Indicates Pre-Painted)

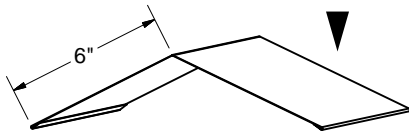
LENGTH

10' 6" 12' 6" 14' 6" 16' 6"

A34B	10" Steel Fascia P.P.	•	•	•	•
A34B	10" Steel Fascia Galv.	•	•	•	•

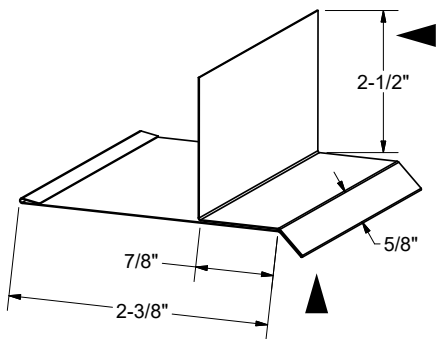


A35B	12" Steel Fascia P.P.	•	•	•	•
A35B	12" Steel Fascia Galv.	•	•	•	•



A41	12" LP Ridge Cover P.P.	•	•	•	•
A41	12" LP Ridge Cover Galv.	•	•	•	•

• 2" Tru-Grip fastener is recommended for installation.



A62	Fascia to Soffit P.P.	•	•	•	•
A62	Fascia to Soffit Galv.	•	•	•	•

STANDARD TRIM IS FOR 4/12 PITCH.

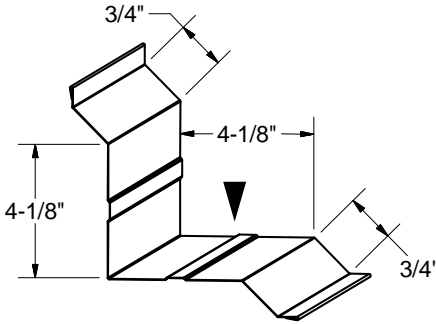
▶ INDICATES PAINTED SIDE

28/26 GA. PRO-RIB / TUFF-RIB / LO-RIB

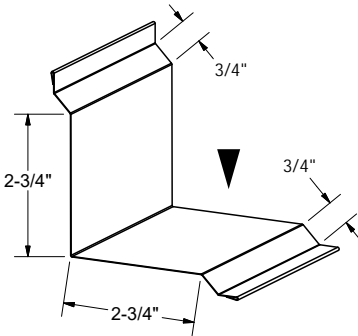
LENGTH

(P.P. Indicates Pre-Painted)

10' 6" 12' 6" 14' 6" 16' 6"

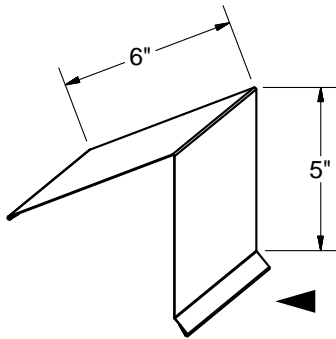


A70B	Inside Corner P.P.	•	•	•	•
A70B	Inside Corner Galv.	•	•	•	•



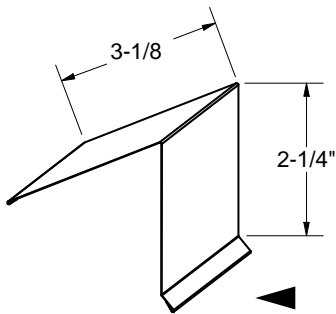
A70LR	Inside Corner P.P.	•	•	•	•
A70LR	Inside Corner Galv.	•	•	•	•

· Use with Lo-Rib panel only.



A72	Peak Flashing P.P.	•	•	N/A	N/A
A72	Peak Flashing Galv.	•	•	N/A	N/A

· 2" Tru-Grip fastener is recommended for installation.
· Use with A6B Gable Flashing



A72R	2.25" Peak Flashing P.P.	•	•	N/A	N/A
A72R	2.25" Peak Flashing Galv.	•	•	N/A	N/A

· 2" Tru-Grip fastener is recommended for installation.
· Use with A30 1.75 Gable Flashing

STANDARD TRIM IS FOR 4/12 PITCH.

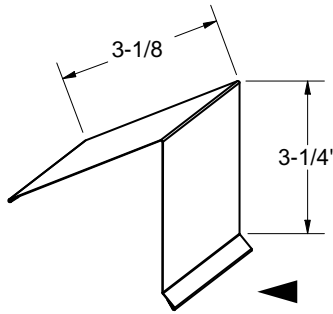
▶ INDICATES PAINTED SIDE

28/26 GA. PRO-RIB / TUFF-RIB / LO-RIB

LENGTH

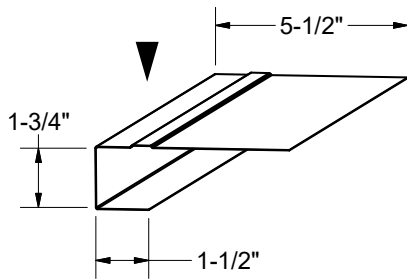
(P.P. Indicates Pre-Painted)

10' 6" 12' 6" 14' 6" 16' 6"



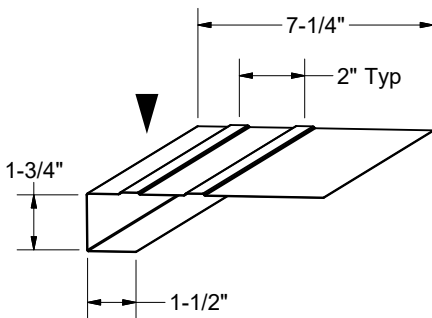
		10' 6"	12' 6"	14' 6"	16' 6"
A72R	3.25" Peak Flashing P.P.	•	•	N/A	N/A
A72R	3.25" Peak Flashing Galv.	•	•	N/A	N/A

- 2" Tru-Grip fastener is recommended for installation.
- Use with A31 2.75 Gable Flashing



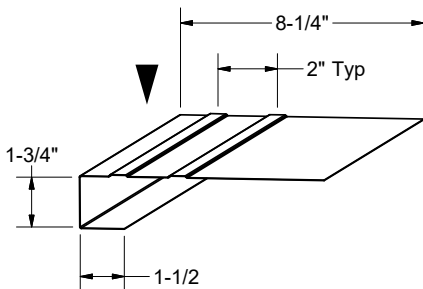
A73B	5.50 Door Jamb Flashing P.P.	•	•	•	•
A73B	5.50 Door Jamb Flashing Galv.	•	•	•	•

- Available with or without stiffening ribs.



A73B	7.25 Door Jamb Flashing P.P.	•	•	•	•
A73B	7.25 Door Jamb Flashing Galv.	•	•	•	•

- Available with or without stiffening ribs.



A73B	8.25 Door Jamb Flashing P.P.	•	•	•	•
A73B	8.25 Door Jamb Flashing Galv.	•	•	•	•

- Available with or without stiffening ribs.

STANDARD TRIM IS FOR 4/12 PITCH.

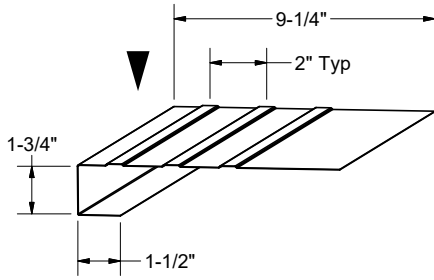
▶ INDICATES PAINTED SIDE

28/26 GA. PRO-RIB / TUFF-RIB / LO-RIB

LENGTH

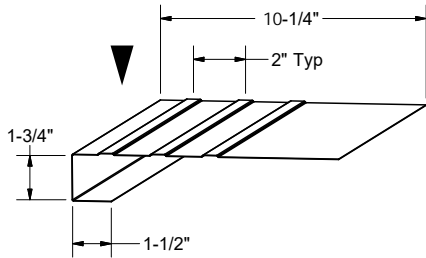
(P.P. Indicates Pre-Painted)

10' 6" 12' 6" 14' 6" 16' 6"



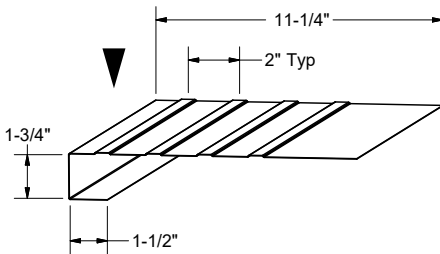
A73B	9.25 Door Jamb Flashing P.P.	•	•	•	•
A73B	9.25 Door Jamb Flashing Galv.	•	•	•	•

· Available with or without stiffening ribs.



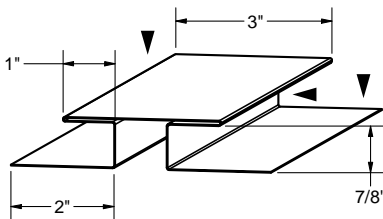
A73B	10.25 Door Jamb Flashing P.P.	•	•	•	•
A73B	10.25 Door Jamb Flashing Galv.	•	•	•	•

· Available with or without stiffening ribs.



A73B	11.25 Door Jamb Flashing P.P.	•	•	•	•
A73B	11.25 Door Jamb Flashing Galv.	•	•	•	•

· Available with or without stiffening ribs.



S760875	7/8" H Divider P.P.	•	•	N/A	N/A
S760875	7/8" H Divider Galv	•	•	N/A	N/A

· Colour on both sides

STANDARD TRIM IS FOR 4/12 PITCH.

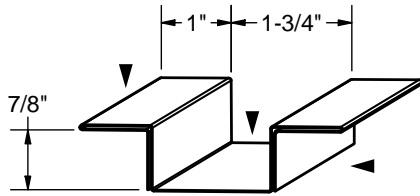
▶ INDICATES PAINTED SIDE

28/26 GA. PRO-RIB / TUFF-RIB / LO-RIB

LENGTH

(P.P. Indicates Pre-Painted)

10' 6" 12' 6" 14' 6" 16' 6"



		10' 6"	12' 6"	14' 6"	16' 6"
S770875	7/8" Recessed Divider P.P.	•	•	N/A	N/A
S770875	7/8" Recessed Divider Galv	•	•	N/A	N/A

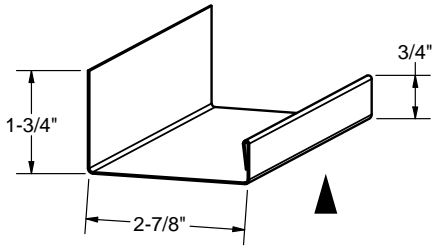
· Colour on both sides

28/26 GA. BI-FOLD DOOR TRIMS

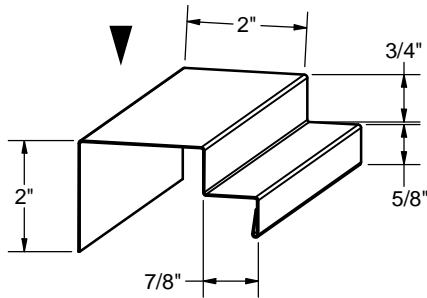
(P.P. Indicates Pre-Painted)

LENGTH

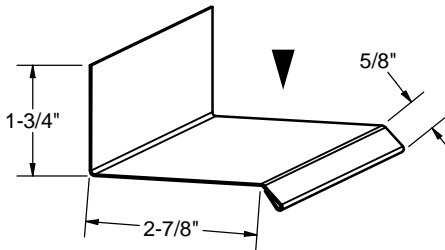
10' 6" 12' 6" 14' 6" 16' 6"



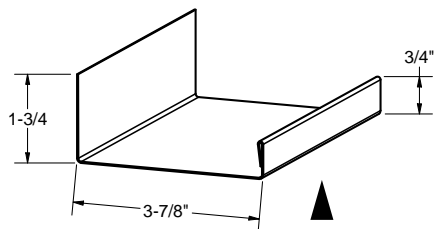
DDIN-01	J-Trim P.P.	•	•	•	•
DDIN-01	J-Trim Galv.	•	•	•	•



DDIN-02	Center Trim P.P.	•	•	•	•
DDIN-02	Center Trim Galv.	•	•	•	•



DDIN-03	Drip Flashing P.P.	•	•	•	•
DDIN-03	Drip Flashing Galv.	•	•	•	•



DDINI-01	J-Trim P.P.	•	•	•	•
DDINI-01	J-Trim Galv.	•	•	•	•

STANDARD TRIM IS FOR 4/12 PITCH.

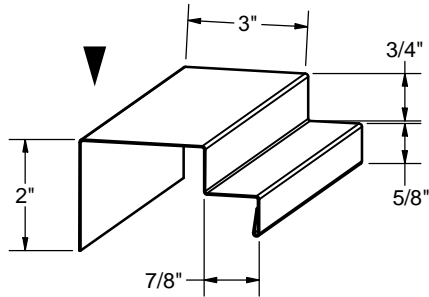
▶ INDICATES PAINTED SIDE

28/26 GA. BI-FOLD DOOR TRIMS

(P.P. Indicates Pre-Painted)

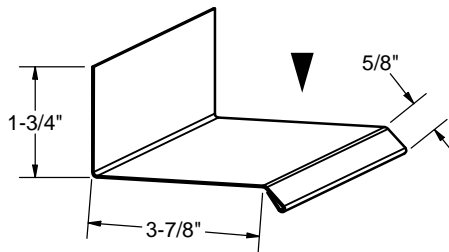
LENGTH

10' 6" 12' 6" 14' 6" 16' 6"



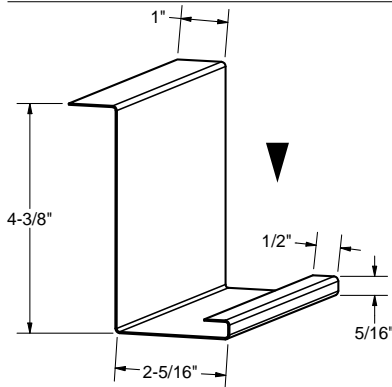
DDINI-02	Center Trim P.P.	•	•	•	•
----------	------------------	---	---	---	---

DDINI-02	Center Trim Galv.	•	•	•	•
----------	-------------------	---	---	---	---



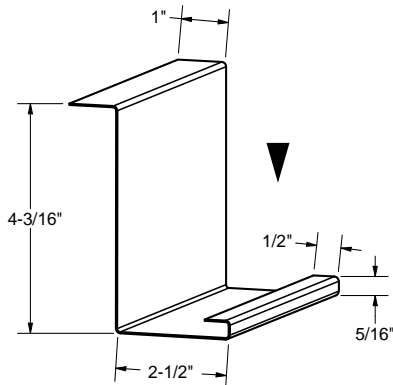
DDINI-03	Drip Flashing P.P.	•	•	•	•
----------	--------------------	---	---	---	---

DDINI-03	Drip Flashing Galv.	•	•	•	•
----------	---------------------	---	---	---	---



DDINI-04	4.375" Jack Trim P.P.	•	•	•	•
----------	-----------------------	---	---	---	---

DDINI-04	4.375" Jack Trim Galv.	•	•	•	•
----------	------------------------	---	---	---	---



DDINI-05	4.188" Jack Trim P.P.	•	•	•	•
----------	-----------------------	---	---	---	---

DDINI-05	4.188" Jack Trim Galv.	•	•	•	•
----------	------------------------	---	---	---	---

STANDARD TRIM IS FOR 4/12 PITCH.

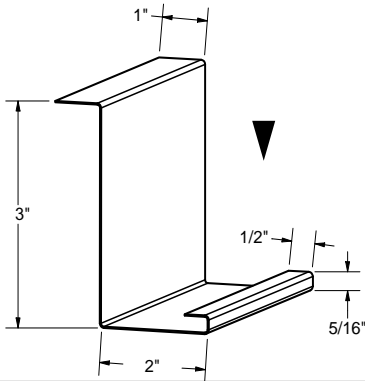
▶ INDICATES PAINTED SIDE

28/26 GA. BI-FOLD DOOR TRIMS

(P.P. Indicates Pre-Painted)

LENGTH

10' 6" 12' 6" 14' 6" 16' 6"

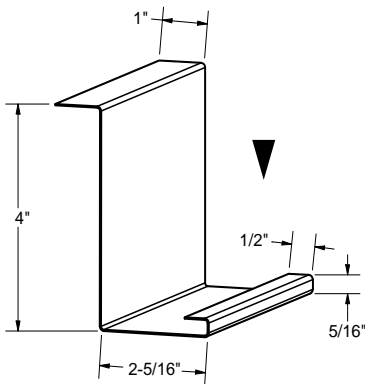


DDINI-06 3" Jack Trim P.P.

• • • •

DDINI-06 3" Jack Trim Galv.

• • • •

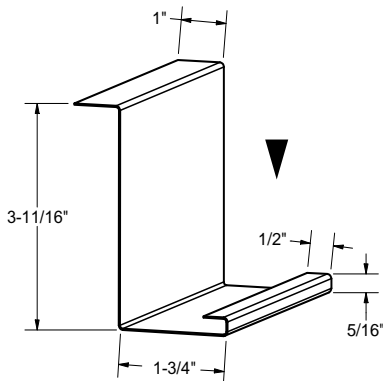


DDINI-07 4" Jack Trim P.P.

• • • •

DDINI-07 4" Jack Trim Galv.

• • • •

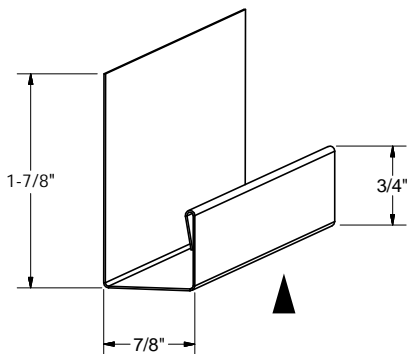


DDINI-08 3.688" Jack Trim P.P.

• • • •

DDINI-08 3.688" Jack Trim Galv.

• • • •



DDST-01 J-Trim P.P.

• • • •

DDST-01 J-Trim Galv.

• • • •

STANDARD TRIM IS FOR 4/12 PITCH.

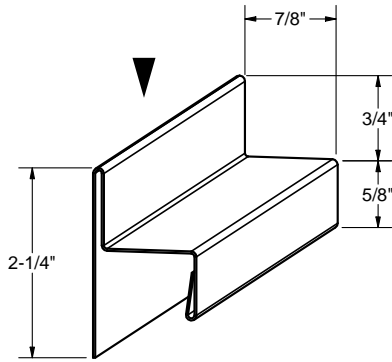
▶ INDICATES PAINTED SIDE

28/26 GA. BI-FOLD DOOR TRIMS

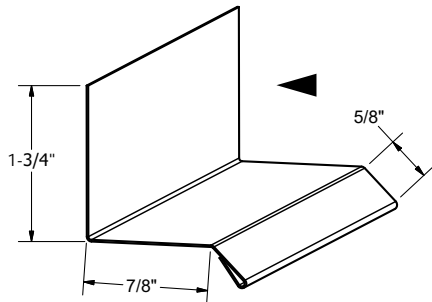
(P.P. Indicates Pre-Painted)

LENGTH

10' 6" 12' 6" 14' 6" 16' 6"



DDST-02	Centre Trim P.P.	•	•	•	•
DDST-02	Centre Trim Galv.	•	•	•	•

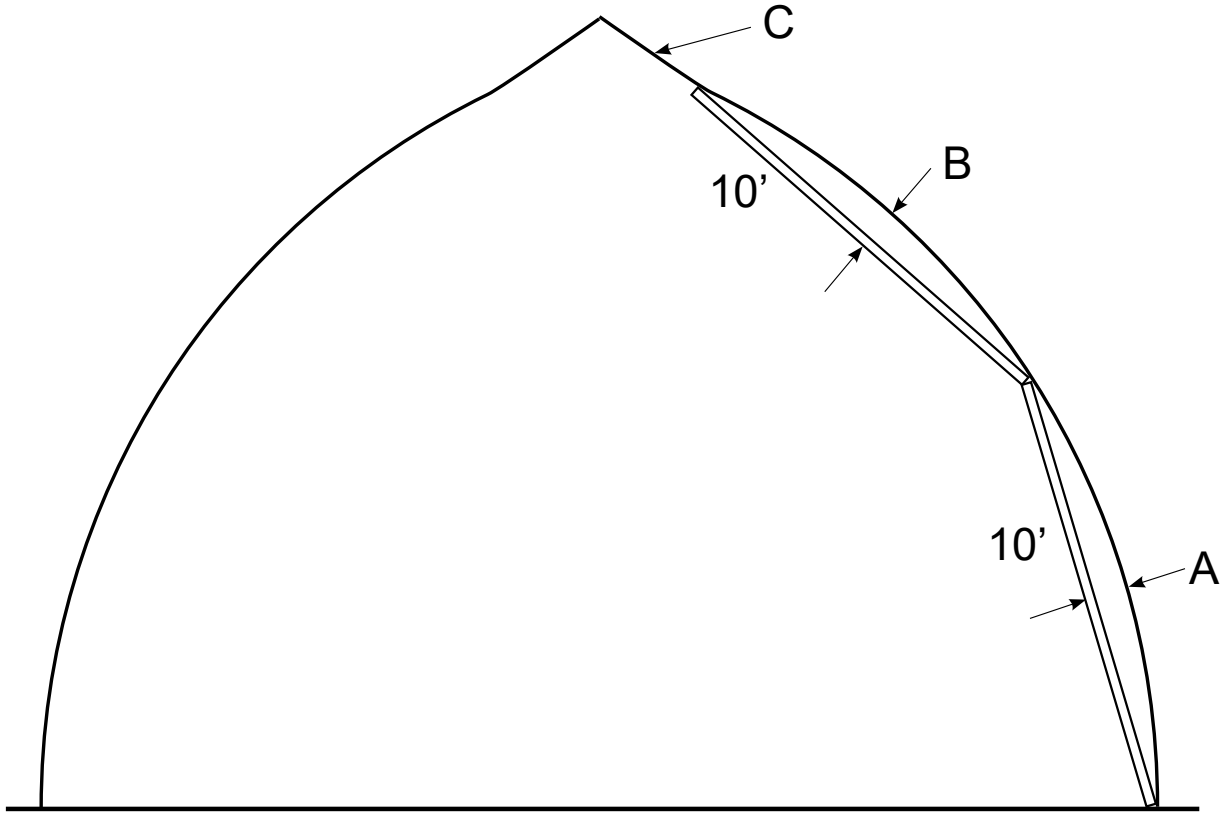


DDST-03	Drip Flashing P.P.	•	•	N/A	N/A
DDST-03	Drip Flashing Galv.	•	•	N/A	N/A

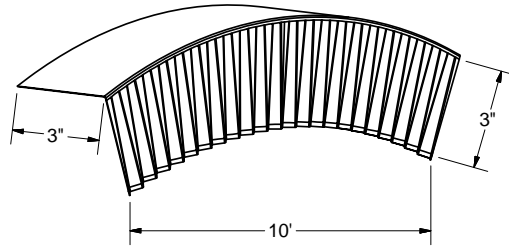
STANDARD TRIM IS FOR 4/12 PITCH.

▶ INDICATES PAINTED SIDE

A-18 ARCH TRIM CALCULATION



Example: "A" = 7-1/2"
 "B" = 10"
 "C" = Straight (no gap)



1. Starting at the base of the wall, hold a 10 foot 2" x 4" board against the inside of the rafter.
2. Measure the gap between the board and the rafter at the middle of the 10 foot 2" x 4".
3. Continue to measure the gap at 10 foot intervals up the inside of the rafter.

- A-18 Arch trims are available in 10'6" lengths only and prepainted on the outside or inside.
- A standard A-18 Arch Trim is 3" flat x 3" crimped.
- Arch Trim dimensions can be increased up to 5" flat x 5" crimped, and would be priced as a custom trim.

10' 6"

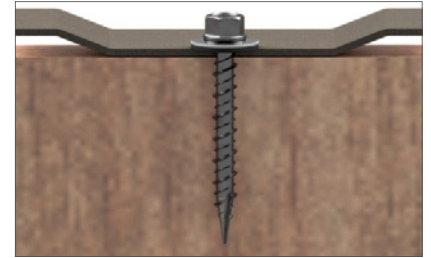
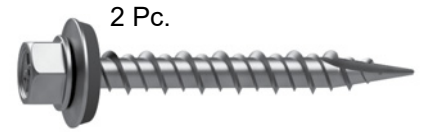
A-18 Arch Trim P.P.	•
A-18 Arch Trim Galv.	•

FASTENERS FOR PRO-RIB / TUFF-RIB / LO-RIB

Tru-Grip Type 17 HiLo

- HWH = Hex Washer Head, Metal to Wood
- Comes with EPDM Bonded washer (ø12mm/0.472")
- Zinc coated for corrosion resistance

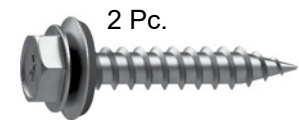
Part Number	Size	Head Size	Bag/Case Qty.
12WG101HL.....	#10 x 1"	1/4"	250/3000
12WG1015HL.....	#10 x 1 1/2"	1/4"	250/2000
12WG102HL.....	#10 x 2"	1/4"	250/1500
12WG1025HL.....	#10 x 2 1/2"	1/4"	250/1000
12WG103HL.....	#10 x 3"	1/4"	250/1000
12WG1035	#10 x 3-1/2"	1/4"	250/750
12WG104	#10 x 4"	1/4"	250/500



Tru-Grip GT

- HWH = Hex Washer Head, Metal to Wood
- Comes with EPDM Bonded washer (ø16mm/0.630")
- Long-life coated for extended corrosion resistance

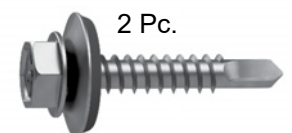
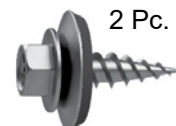
Part Number	Size	Head Size	Bag/Case Qty.
12WG141	#14 x 1"	3/8"	250/2500
12WG1412	#14 x 1 1/4"	3/8"	250/1500
12WG1415	#14 x 1 1/2"	3/8"	250/1500
12WG1420	#14 x 2"	3/8"	250/1000
12WG1425	#14 x 2 1/2"	3/8"	250/1000
12WG1430	#14 x 3"	3/8"	250/750
12WG1435	#14 x 3-1/2"	3/8"	250/500
12WG1440	#14 x 4"	3/8"	250/500



Stitch Screws

- Metal to Metal
- Pre-assembled with EPDM bonded washers (ø14mm/0.551")
- Long-life coated for extended corrosion resistance
- Sold in multiples of 100 pieces

Part Number	Size	Drill Point	Head Size	Bag/Case Qty.
25-1270	12 x 3/4"		1/4"	250/3000
25-2510W	10 - 16 x 1"	#3	5/16"	250/2500



DEKTITE UNIVERSAL FLEXIBLE PIPE FLASHING

- This universal flashing has been designed to fit virtually all panel configurations.
- Sleeve flexibility absorbs vibration and pipe movement caused by expansion/contraction.
- Easy on-site customization can accommodate all normal installations.
- All parts are grey in colour except the high temp variation which is red in colour.
- Other sizes are available upon request.
- Parts are paintable.
- **For extreme pitch or surface irregularity, select next larger size.**



Part No.	Description	Fits Pipe	Service Temp.
26DEK-8001	No. 1	1/4" - 2-1/2"	-65 F to +250 F
26DEK-8002	2	1-3/4" - 3-1/4"	-65 F to +250 F
26DEK-8003	3	1/4" - 5"	-65 F to +250 F
26DEK-8003HT	3 High Temp	1/4" - 5"	-40 F to +350 F
26DEK-8004	4	3" - 6-1/4"	-65 F to +250 F
26DEK-8005	5	4-1/4" - 7-1/2"	-65 F to +250 F
26DEK-8006	6	5" - 9"	-65 F to +250 F
26DEK-8006HT	6 High Temp	5" - 9"	-40 F to +350 F
26DEK-8007	7	6" - 11"	-65 F to +250 F
26DEK-8007HT	7 High Temp	6" - 11"	-40 F to +350 F
26DEK-8008	8	7" - 13"	-65 F to +250 F
26DEK-8008HT	8 High Temp	7" - 13"	-40 F to +350 F
26DEK-8009	9	10" - 19"	-65 F to +250 F
26DEK-8009HT	9 High Temp	10" - 19"	-40 F to +350 F

- Durasil is an approved sealant for use with Dektite. Please see PR-37 for more information.

DEKTITE RETROFIT FLEXIBLE PIPE FLASHING

- Designed for applications where you don't have easy access or when a repair is needed.
- All parts are grey in colour.



Part No.	Description	Fits Pipe
26DEK8011	No. 1	3/4" - 2-3/4"
26DEK8012	2	2" - 7-1/4"
26DEK8013	3	3-1/4" - 10"

DEKSTRIP® Expandable Edge Flashing System

- Flexible weatherproof roof flashing system. Aluminum edging conforms to all roof panel configurations.
- Sold by the lineal foot



Part No.	Description
26DEKSTRIP-9	9 in. wide
26DEKSTRIP-18	18 in. wide

RIDGE VENTING AND CLOSURES

FOAM CLOSURE STRIPS - PRO RIB / LO RIB / TUFF-RIB

Large Tab (Pro-Rib shown)



Small Tab (Pro-Rib shown)

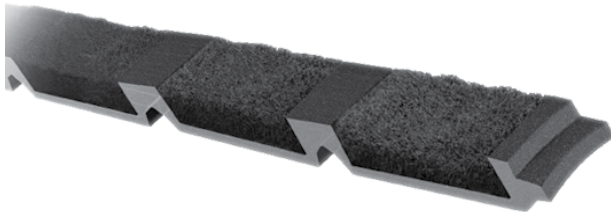


· 100 per/box

15CLOS-10536" (Large Tab) Ridge c/w adhesive

15CLOS-10036" (Small Tab) Eaves no adhesive

VENTED CLOSURE - PRO-RIB / TUFF-RIB



- Provides the ultimate attic ventilation benefits & eliminates condensation
- Made from durable, flame & tear-resistant, recycled fiber-based polyester. Non-woven and non-wicking
- Keeps out moisture, pests, dust & prevents wind driven rain infiltration
- Net Free Air of 17 sq. in. per linear ft.

· 25 per box

15LPRDGVT.....Large Tab

FLEX-O-VENT



- Won't absorb moisture, which can freeze and block all ventilation
- Easy installation by just one person
- 40 Year Limited Warranty
- ASTM E 84 tested
- Made from recycled material
- Net Free Air of up to 23 sq. in. per linear ft.
- 1" is for rib heights up to 3/4"
- 1.5" is for rib heights up to 1-1/4"

15FLOV1X2-20.....1" x 2" x 20' Rolls

15FLEXOVENT-20.....1.5" x 3" x 20' Rolls

HIP AND VALLEY CLOSURES

EMSEAL AST

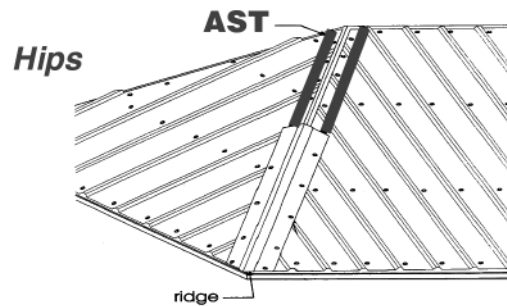
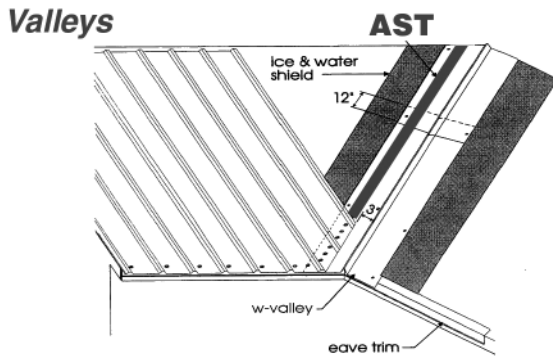
AST is a self-adhering tape seal made from resilient, open-cell polyurethane foam impregnated with a water-based acrylic-modified asphalt emulsion.

Ideal application temperature is approx. 75°F (24°C). Expansion will be faster at higher temperatures and slower at lower temperatures. For faster expansion in cold conditions keep the material warm before use.

- Polyurethane foam with acrylic, asphalt emulsion
- 32 rolls per box



15ASH-CLOS 1" x 3/4" x 19.68 LF (6 metres)



SEALANTS

DURASIL SEALANT / ADHESIVE

Durasil can be used for a wide range of applications to ensure weather-tight protection. It can be used on metal flashings, roofing / siding, flexible pipe flashing, chimney stacks, cove joints, window / door frames.

- Translucent
- Neutral Cure. Will not promote corrosion of metal
- Solvent free, 100% solids will not shrink
- Non-slump, applies vertically and overhead
- 10 minute skin over
- +/-50% joint movement
- Service temperature range from -80°F to 400°F

- 24 per case

41DURASIL - 300 ml Tube



LAP SEALANTS



BUTYL TAPE SEALANT

Designed to create a long lasting, flexible weather seal for metal to metal applications.

- Crosslinked for easy install on wide temperature ranges.
- No shrinkage
- Non-hardening

It is recommended that Butyl Tape not be applied below temperatures of 4 degrees Celsius unless the installed surface is free of all moisture, frost, and contaminants. Butyl Tape should not be applied if temperatures exceed 35 degrees Celsius.

- 24 per case

14BUTYL-041..... 1/16" x 1/2" x 50' Roll

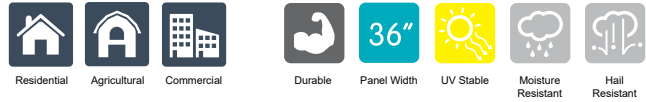


BUTYL TUBE CAULKING

- 30 per case

14BUTYL-042.....300 ml Cartridge

COVERLITE POLYCARBONATES



High Light Transmission:

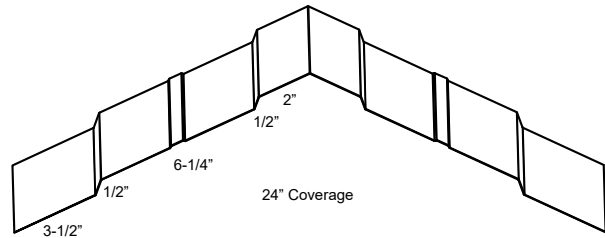
Coverlite Polycarbonates offer the perfect amount of light transmission.

- Crystal Clear: 90%, Bronze: 35%

COVERLITE HIGH-TOP RIDGE COVER

- Available in Crystal Clear

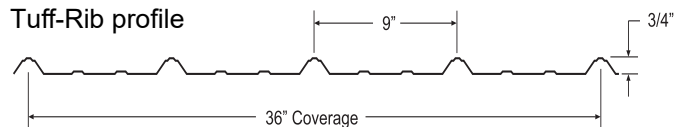
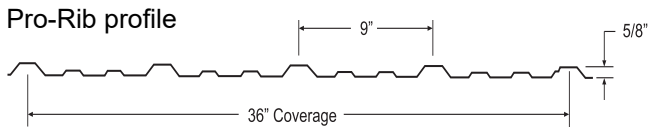
Part #	Size	Colour
31PC-RIDG2 ft x 10 ft 6 in.....	Crystal Clear



- Matching metal Ridge Cover profile is available (A12B/24).
- Pre-drill a 5/16" hole and install a required 2" Tru-Grip fastener with oversized washer (see below).

COVERLITE PANELS - PRO-RIB, TUFF-RIB

- Available in Crystal Clear or Bronze
- Available in Pro-Rib or Tuff-Rib profiles.



Pro-Rib Part #	Dimensions	Colour	Tuff-Rib Part #
31PCPRO-8.....	3 ft x 8 ft	Crystal Clear	31PC/36-8'
N/A.....	3 ft x 8 ft	Bronze.....	31SPC-8'
31PCPRO-12.....	3 ft x 12 ft	Crystal Clear	31PC/36-12'
N/A.....	3 ft x 12 ft	Bronze.....	31SPC-12'
31PCPRO-16.....	3 ft x 16 ft	Crystal Clear	1PC/36-16'
N/A.....	3 ft x 16 ft	Bronze.....	31SPC-16'

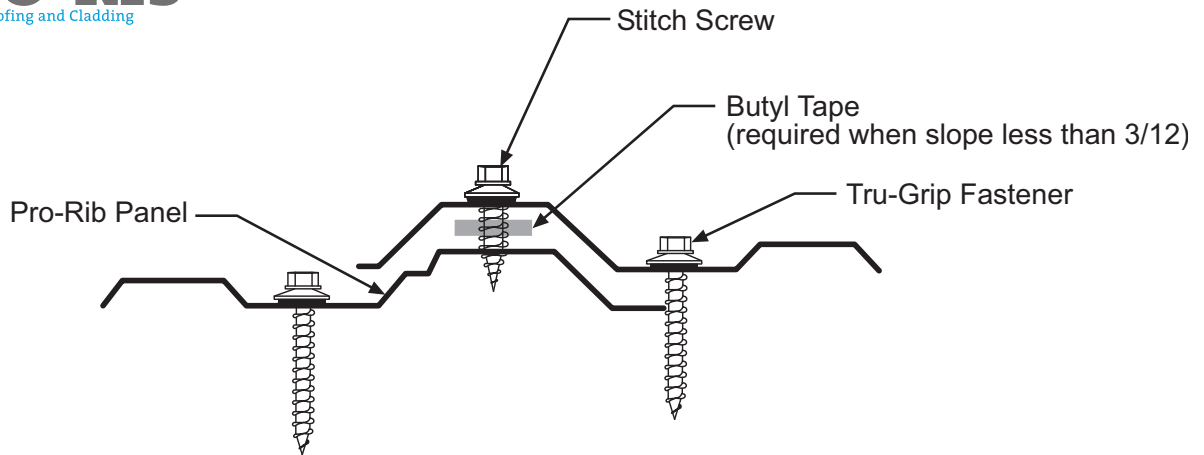
TRU-GRIP GT OSW (OVER-SIZED WASHER)

- PVC or polycarbonate to wood
- EPDM bonded washer provides weathertight seal during expansion/contraction
- Long-life coated for extended corrosion resistance



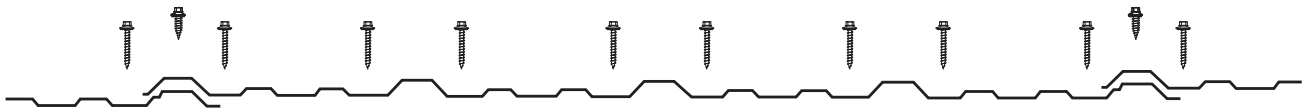
Part No.	Description	Head Size	Bag/Case Qty.
12WG1015/LDW	#10 x 1-1/2"	1/4"	250/1000
12WG102/LDW	#10 x 2"	1/4"	250/1000

- Custom lengths are subject to a cutting charge
- Cut to length parts are not returnable.

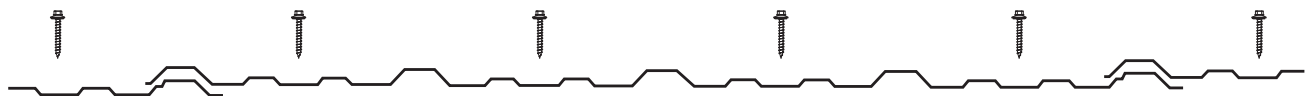


Panel Ends (Ridge and Eave)

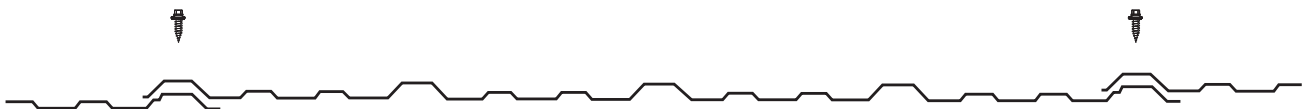
←
Prevailing Wind



Intermediate Panels (on purlins)

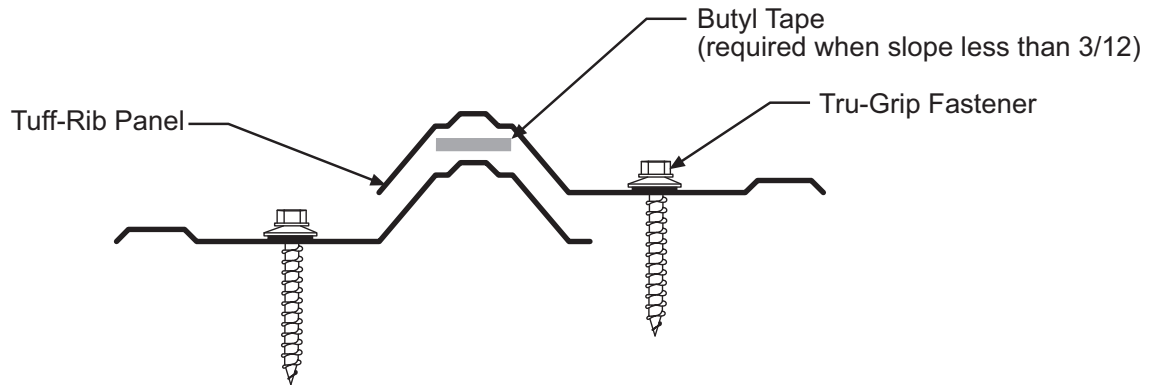


Intermediate Panels (between purlins)

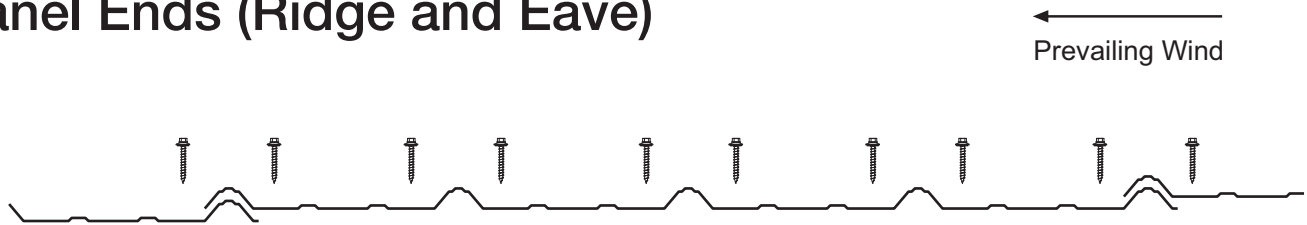


Notes:

- It is recommended panels should be fastened every 2' on center.
- Butyl tape on side laps is required when roof slope is below 3/12.
- Butyl tape not required for wall application.



Panel Ends (Ridge and Eave)

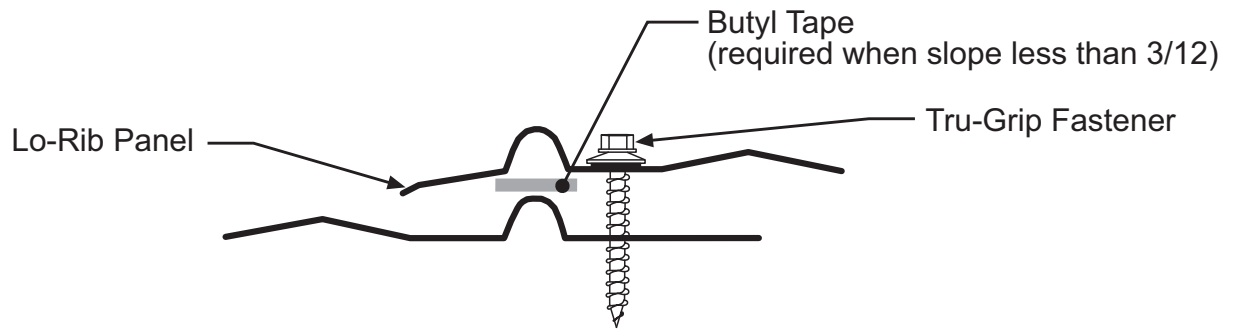


Intermediate Panels



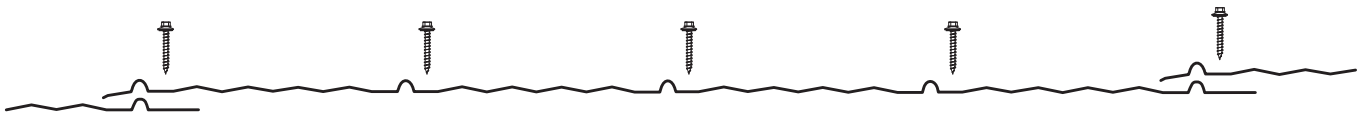
Notes:

- It is recommended panels should be fastened every 2' on center.
- Butyl tape on side laps is required when roof slope is below 3/12.
- Butyl tape not required for wall application.



Panel Ends (Ridge and Eave) Intermediate Panels

←
Prevailing Wind



Notes:

- It is recommended panels should be fastened every 2' on center.
- Butyl tape on side laps is required when roof slope is below 3/12.
- Butyl tape not required for wall application.